

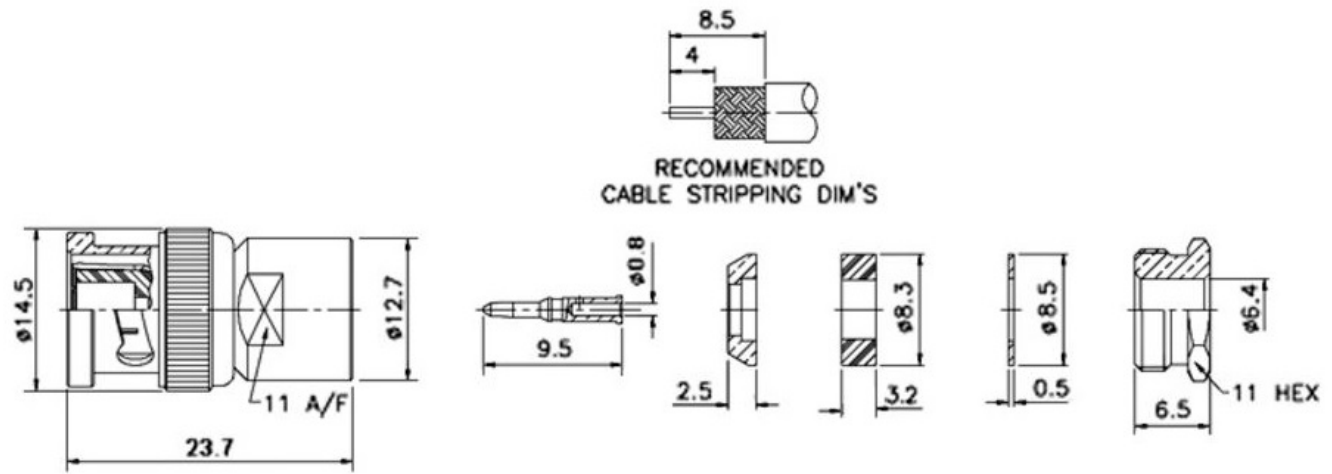


Item No. : M5541M

RoHS :  RoHS

Description :

BNC male clamp type (RG59U)  
gold-pin



### Electrical Specifications

Connector series	Impedance	Frequency range	Voltage rating	Withstanding voltage	Contact resistance	Insulation resistance
BNC	50 $\Omega$ /75 $\Omega$	0-4/0-1GHz	AC 500V	AC1500V one minute	3.0m $\Omega$ max	5000M $\Omega$ min at DC 500V