

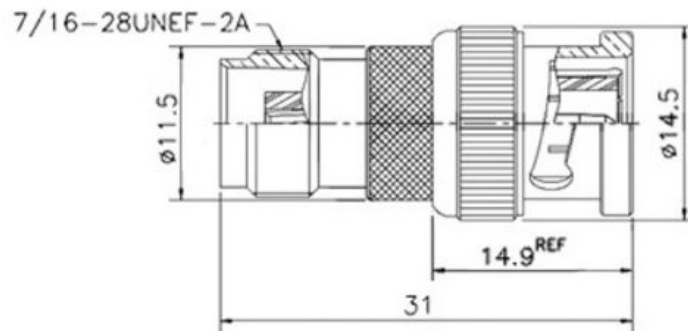


Item No. : M5762

RoHS : RoHS

Description :

TNC female to BNC male gold-pin



Electrical Specifications

Connector series	Impedance	Frequency range	Voltage rating	Withstanding voltage	Contact resistance	Insulation resistance
TNC	50 Ω /75 Ω	0-4/0-1 GHz	AC 500V	AC1500V one minute	3.0m Ω max	5000M Ω min at DC 500V