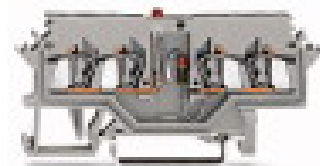




4-conductor LED terminal block; with red LED; 24 VDC

Item No.: 280-624/281-413



4-conductor LED terminal block; with red LED; 24 VDC

Marking

RoHS ✓
Compliant

Business data

Supplier	WAGO
Item no.	280-624/281-413
GTIN / EAN	4045454331184
Content	1
Order amount	100
Customer item number	

Notes

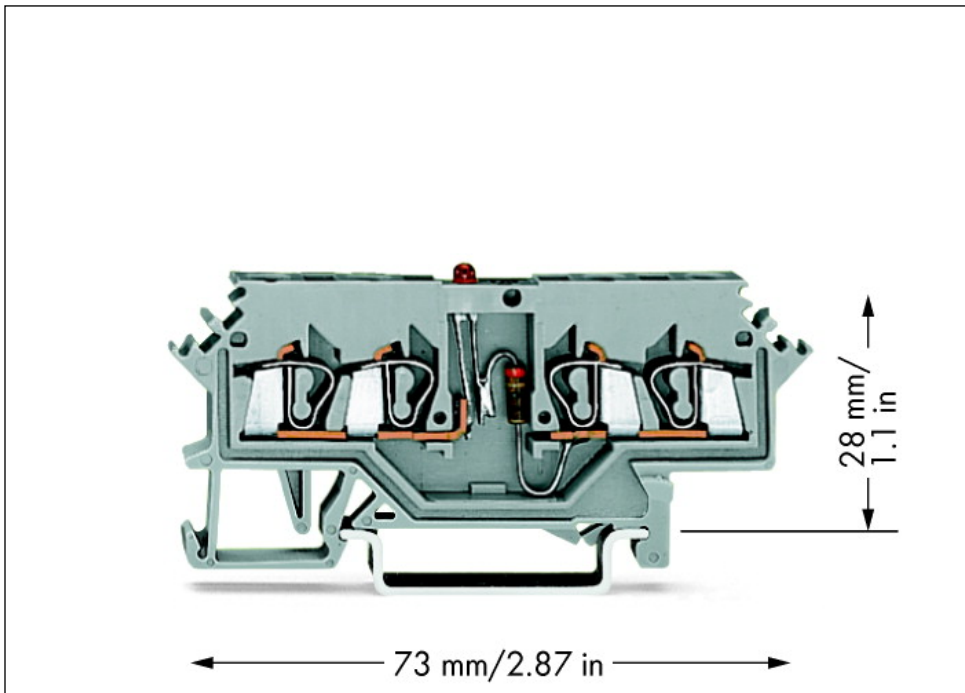
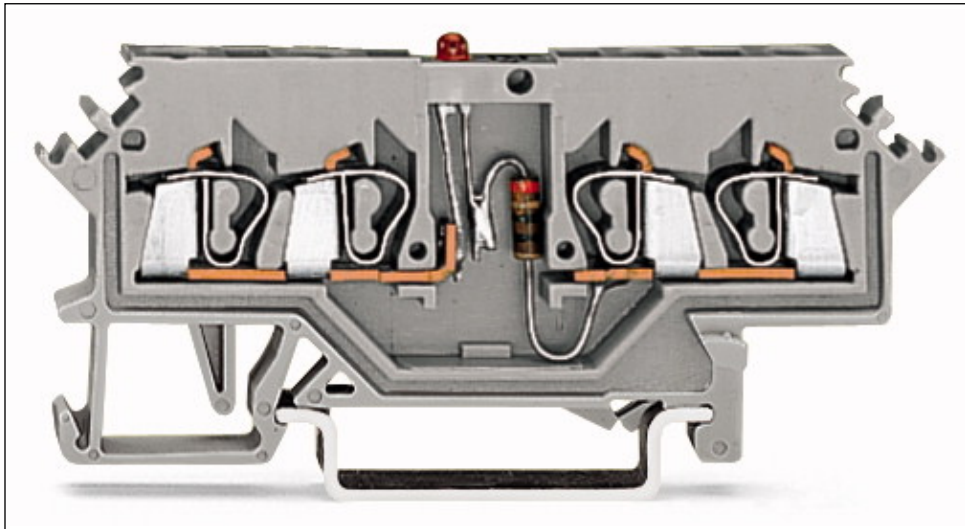
Technical data

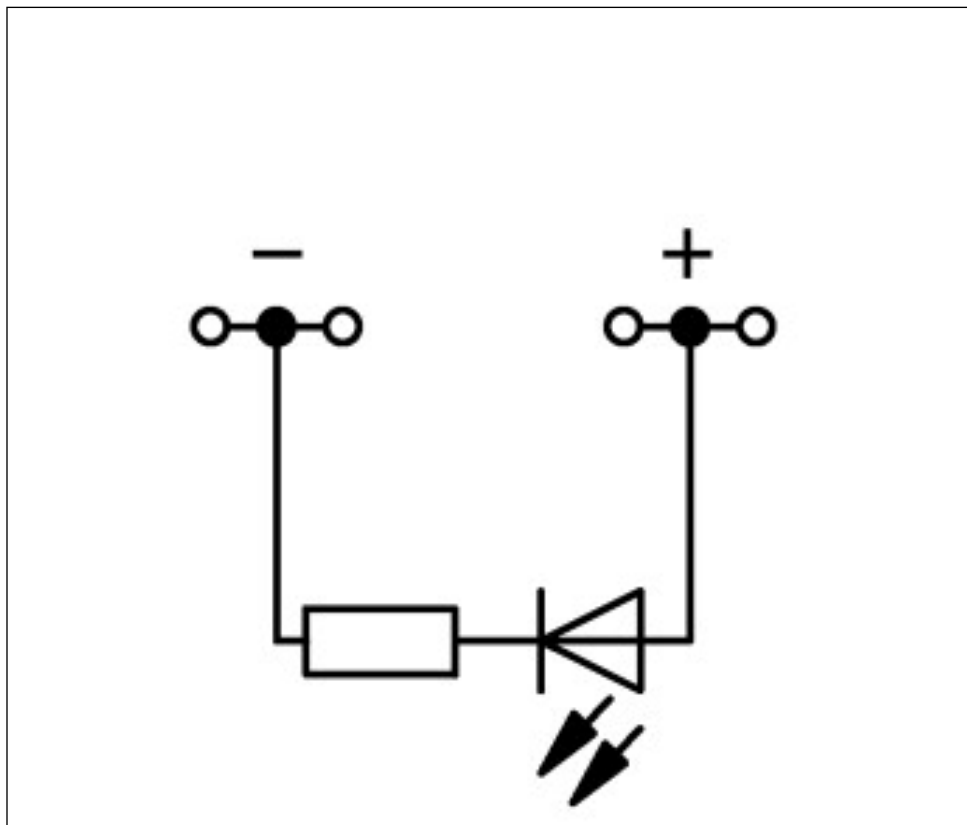
Miscellaneous

Total number of connection points	4
Total number of potentials	1
Color	gray
Ratings per	IEC/EN 60947-7-1
Rated current [A]	0.025 [A]
Nominal voltage [V]	24 [V]

Technical data	
<i>Number of levels</i>	1
<i>Connection technology</i>	CAGE CLAMP®
<i>Number of connection points connector</i>	4
<i>Actuation type</i>	Operating tool
<i>Connectable conductor materials</i>	Copper
<i>Solid conductors, tool-operated termination</i>	0.08 ... 2.5 mm ² / 28 ... 14 AWG
<i>Fine-stranded conductors, tool-operated termination</i>	0.08 ... 2.5 mm ² / 28 ... 14 AWG
<i>Strip length</i>	8 ... 9 mm / 0.31 ... 0.35 inch
<i>Type of wiring</i>	Front-entry wiring
<i>Design</i>	horizontal
<i>Marking level</i>	Side marking
<i>Insulating material</i>	Polyamide 66 (PA 66)
<i>Fire load [MJ]</i>	0.141 [MJ]
<i>Weight [g]</i>	8.449 [g]
<i>Width</i>	5 mm / 0.197 in.
<i>Height from upper-edge of DIN-35 rail</i>	28 mm / 1.102 in.
<i>Depth</i>	73 mm / 2.874 in.
<i>Type of mounting</i>	DIN-35 rail

Images & drawings





Address

WAGO Kontakttechnik GmbH & Co. KG

Hansastr. 27

32423 Minden

Telefon: 0571/887-0

Fax: 0571/887-169

<http://www.wago.com>

© WAGO Kontakttechnik GmbH & Co. KG

Technische Änderungen und Irrtümer vorbehalten.