



1-channel analog input; Resistor bridges (strain gauge)

Item No.: 750-491



1-channel analog input; Resistor bridges (strain gauge)

Marking

RoHS ✓
Compliant

Business data

Supplier	WAGO
Item no.	750-491
GTIN / EAN	4045454849351
Content	1
Order amount	1
Customer item number	

Notes

Item description: The I/O module enables the direct connection of a resistor measurement bridge. The bridge voltage V_D and supply voltage V_{ref} of the bridge are digitized with a resolution of 16 bits. The two input channels for the resistor bridge are available as two 16 bit values for further processing. The result of measurement can be calculated by the formula: Measured value = V_D / V_{ref} . Field and system levels are electrically isolated.

Technical data

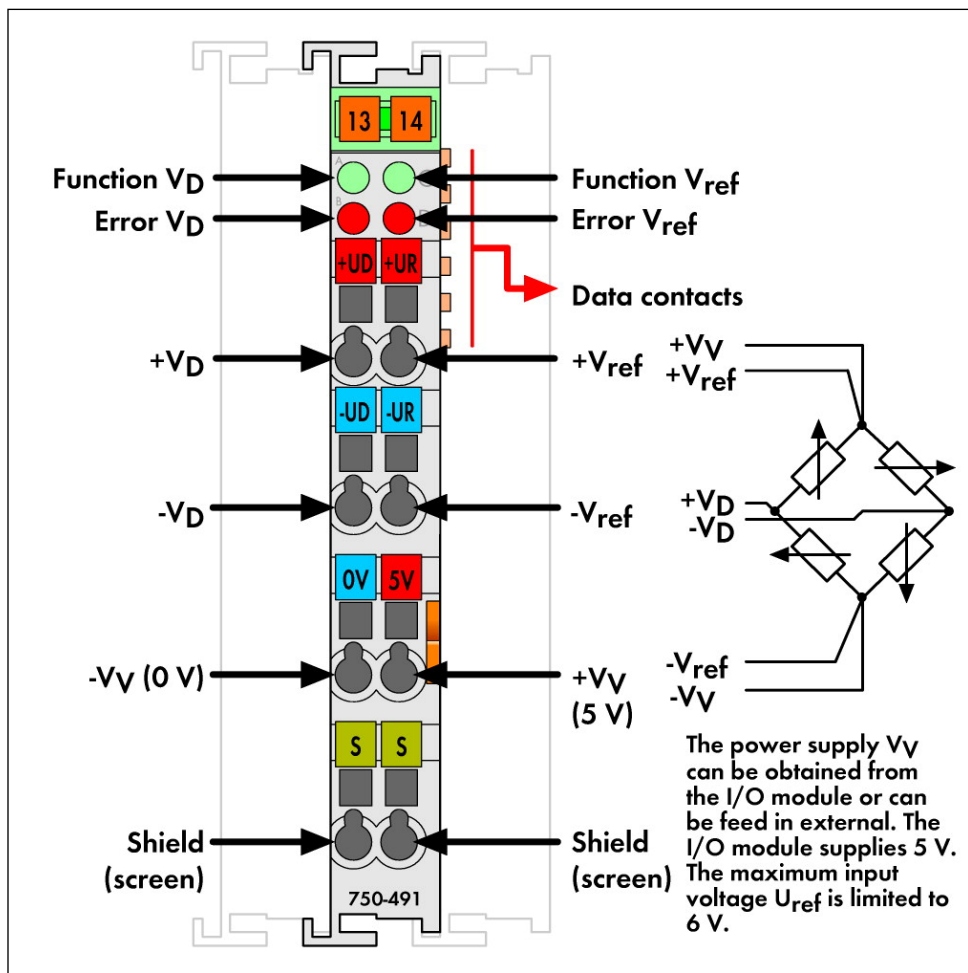
Miscellaneous

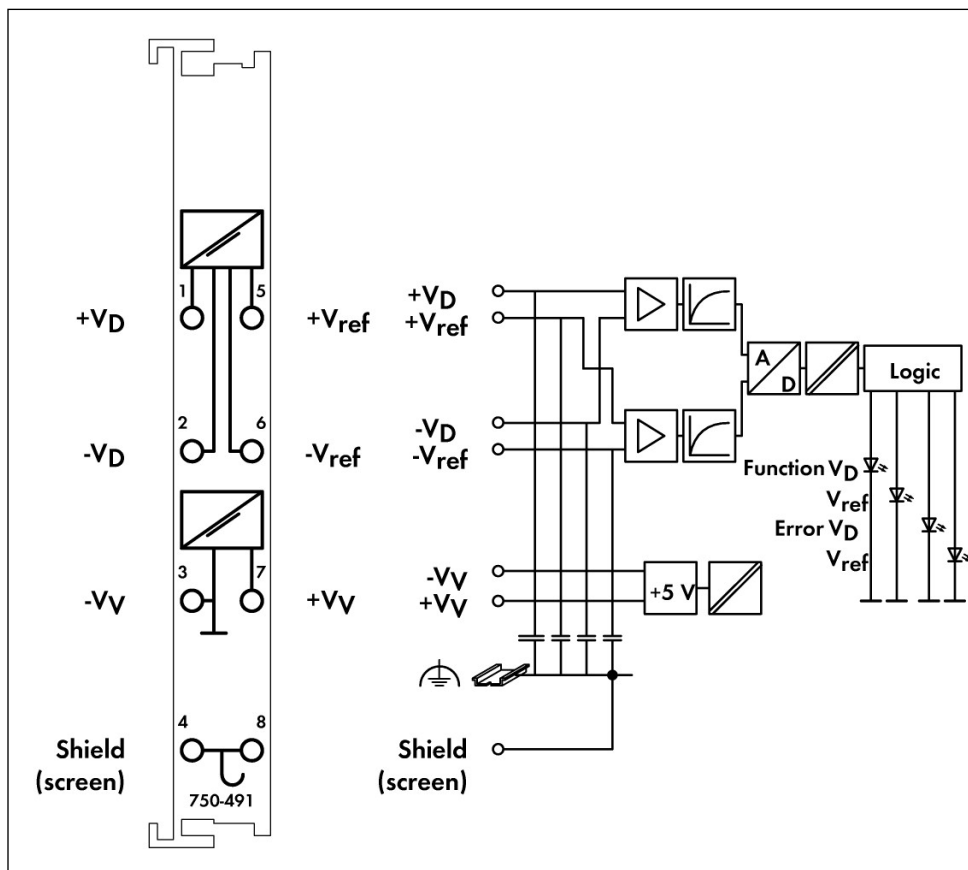
Color	light gray
Conformity marking	CE
Number of inputs	2, for one resistor bridge

Technical data	
Power supply	via system voltage DC/DC
Isolation	500 V system/supply
Current consumption typ. (internal) [mA]	65 [mA]
Signal voltage VD	-15mV ... +15mV
Signal voltage Vref	+2V ... +6V
Voltage supply Vv	5 V DC, 20 mA
Internal resistance	> 200 k (Vref), > 1 M (VD)
Resolution	16 bits
Conversion time	500ms
Measuring error	VD: $\pm 30 \mu\text{V}$; Vref: $\pm 10 \text{ mV}$
Filter [Hz]	50 [Hz]
Bit width	2 x 16-bit data; 2 x 8-bit control/status (optional)
Type of signal	Resistor bridge (strain gauge)
Degree of protection	IP20
Connection technology	CAGE CLAMP®
Solid conductor	0.08 ... 2.5 mm ² / 28 ... 14 AWG
Fine-stranded conductor	0.08 ... 2.5 mm ² / 28 ... 14 AWG
Strip length	8 ... 9 mm / 0.31 ... 0.35 Inch
Weight [g]	53 [g]
Width	12 mm / 0.472 Inch
Height	69.8 mm / 2.748 Inch
Height from upper-edge of DIN-35 rail	62.6 mm / 2.465 Inch
Depth	100 mm / 3.937 Inch
Storage temperature	-25 °C ... +85 °C
Relative air humidity (no condensation) [%]	95 [%]
Type of mounting	DIN-35 x 15 carrier rail
Operating temperature	0°C ... +55°C
EMC emission of interference	acc. to EN 61000-6-4, marine applications
EMC immunity to interference	acc. to EN 61000-6-2, marine applications
Shock resistance	acc. to IECacc. to IEC 60068-2-27
Vibration resistance	acc. to IECacc. to IEC 60068-2-6

Images & drawings







Address

WAGO Kontakttechnik GmbH & Co. KG

Hansastr. 27

32423 Minden

Telefon: 0571/887-0

Fax: 0571/887-169

<http://www.wago.com>

© WAGO Kontakttechnik GmbH & Co. KG

Technische Änderungen und Irrtümer vorbehalten.