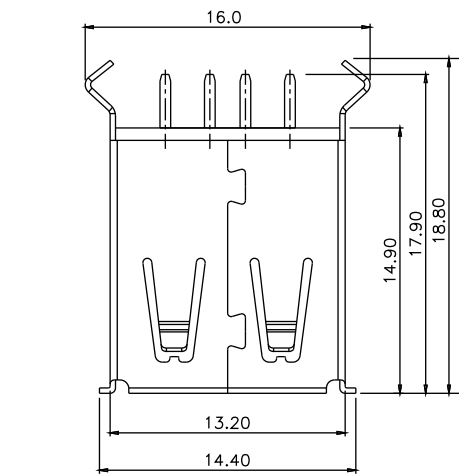


■ **Specifications**

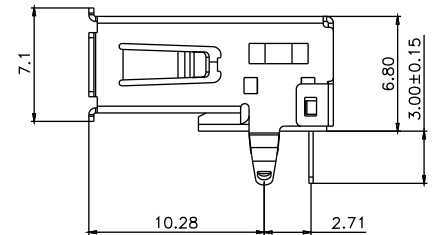
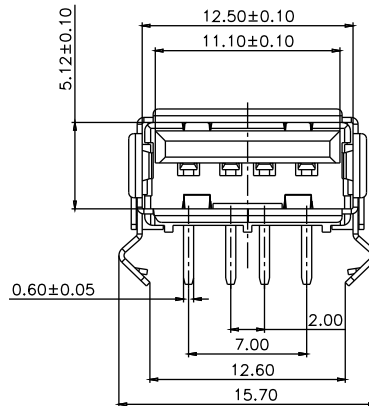
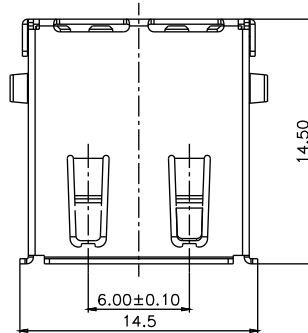
Current rating:1.0AAC/DC
Voltage rating:30V AC/DC
Contact resistance:20m ohm. max.
Insulation resistance:1000M ohm. Min.
Withstanding voltage:750V AC for one minute
Operating temperature range:-40°C to +105°C

■ **Material and Finish**

Insulator:High Temp. Plastic(UL94V-0)
Contact:Copper Alloy
Plating:Selective Gold Plated



P/N:5075AS-04-XX



P/N:5075AR-04-XX

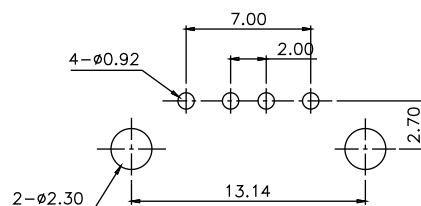
■ **Ordering Information**

5075AR-04-XX

① ② ③

① AR:A Type R/A AS:A Type Straight	② No. of Contacts
③ WH:White(Standard) BK:Black	

■ **Recommended PCB Layout**



PCB LAYOUT
TOLERANCE:±0.10

Unit:mm