



## 4-channel digital input; 42 VAC/VDC; 20 ms

Item No.: 750-428



4-channel digital input; 42 VAC/VDC; 20 ms

### Marking

RoHS ✓  
Compliant

### Business data

Supplier	WAGO
Item no.	750-428
GTIN / EAN	4050821289890
Content	1
Order amount	1
Customer item number	

### Notes

*Item description: This digital input module receives control signals from digital field devices (e.g., sensors). Each input module has a noise-rejection filter with a time constant. Field and system levels are electrically isolated. All inputs are isolated.*

### Technical data

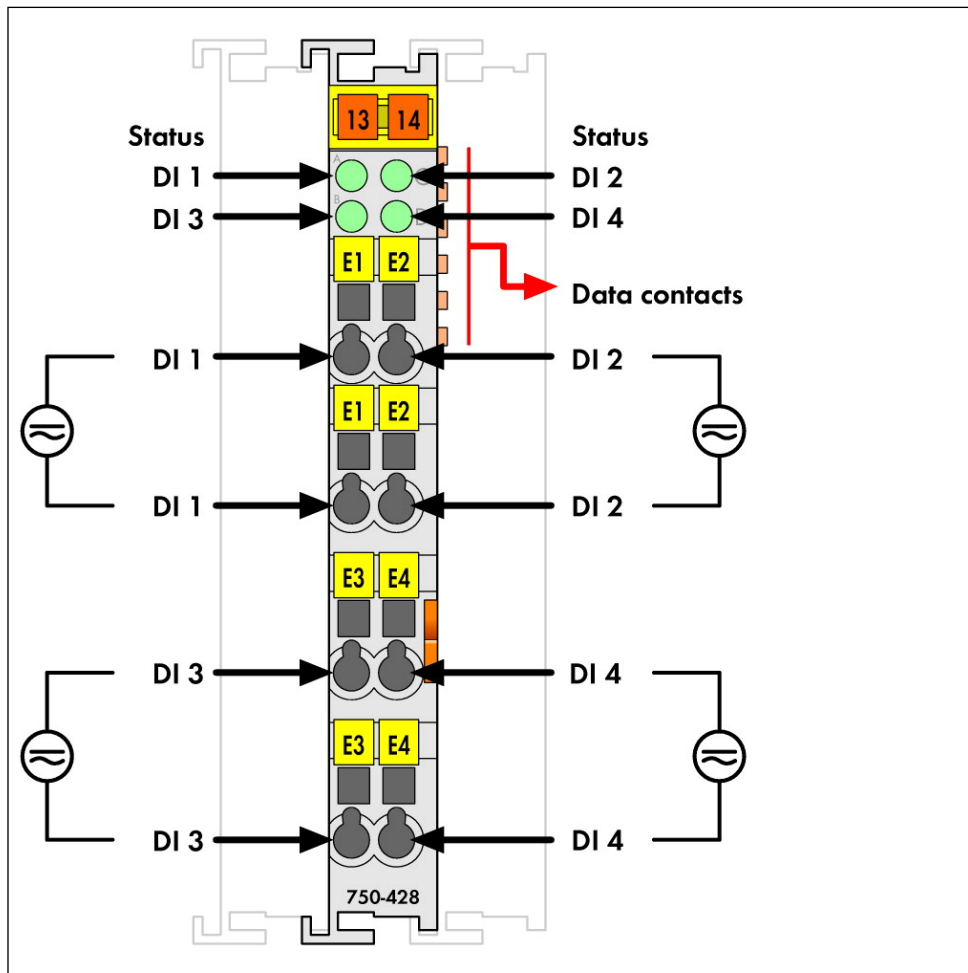
#### Miscellaneous

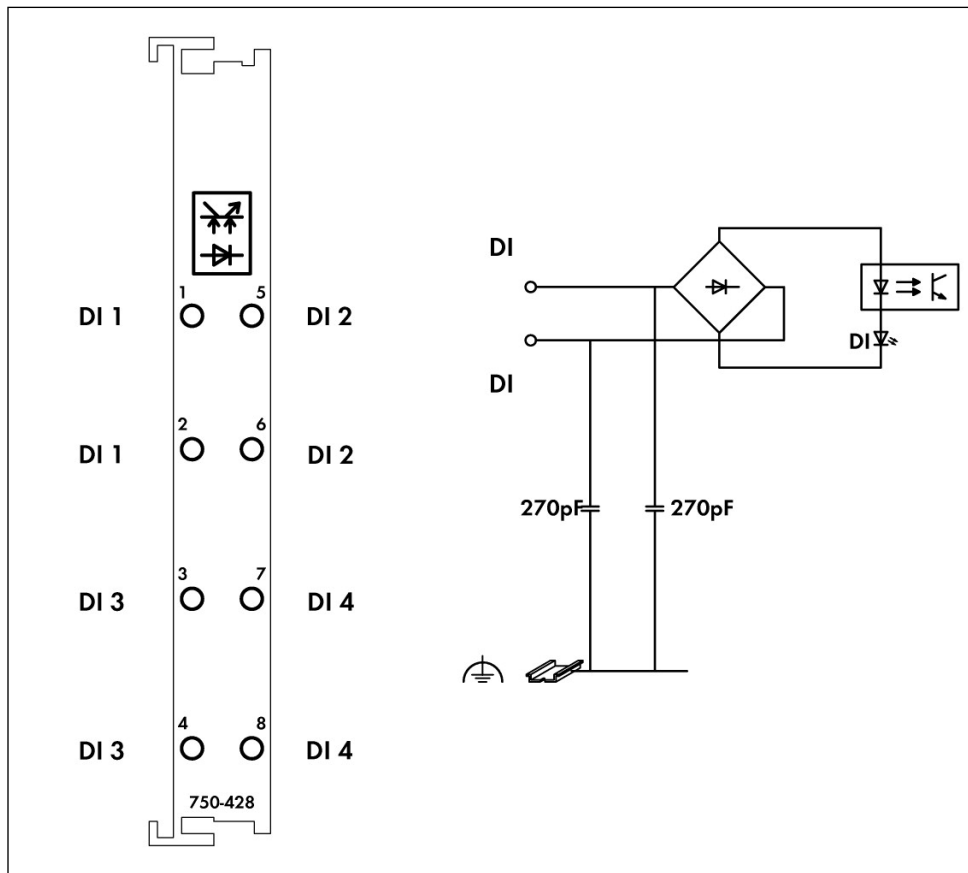
Color	light gray
Conformity marking	CE
Number of inputs	4
Isolation	500 VAC system/supply; 500 VAC channel/channel

<b>Technical data</b>	
<i>Current consumption (internal) (3) [mA]</i>	<i>5 [mA]</i>
<i>Signal voltage (0)</i>	<i>-3 V ... +10 V DC; 0 V ... 10 V AC</i>
<i>Signal voltage (1)</i>	<i>30 V ... 53 V DC; 30 V ... 53 V AC</i>
<i>Input filter</i>	<i>20 ms</i>
<i>Input current (typ.)</i>	<i>3.6 mA DC; 6.0 mA AC</i>
<i>Internal bit width</i>	<i>4 bits</i>
<i>Type of signal</i>	<i>42 VAC/DC</i>
<i>Degree of protection</i>	<i>IP20</i>
<i>Connection technology</i>	<i>CAGE CLAMP®</i>
<i>Solid conductor</i>	<i>0.08 ... 2.5 mm<sup>2</sup> / 28 ... 14 AWG</i>
<i>Fine-stranded conductor</i>	<i>0.08 ... 2.5 mm<sup>2</sup> / 28 ... 14 AWG</i>
<i>Strip length</i>	<i>8 ... 9 mm / 0.31 ... 0.35 Inch</i>
<i>Weight [g]</i>	<i>47.5 [g]</i>
<i>Width</i>	<i>12 mm / 0.472 Inch</i>
<i>Height</i>	<i>69.8 mm / 2.748 Inch</i>
<i>Height from upper-edge of DIN-35 rail</i>	<i>62.6 mm / 2.465 Inch</i>
<i>Depth</i>	<i>100 mm / 3.937 Inch</i>
<i>Housing material</i>	<i>Polycarbonat, Polyamid 6.6</i>
<i>Storage temperature</i>	<i>-25 °C ... +85 °C</i>
<i>Type of mounting</i>	<i>DIN-35 x 15 carrier rail</i>
<i>Operating temperature</i>	<i>0°C ... +55°C</i>
<i>Mounting position</i>	<i>any</i>
<i>Exposure to pollutants</i>	<i>gemäß IEC 60068-2-42 und IEC 60068-2-43</i>
<i>EMC emission of interference</i>	<i>acc. to EN 61000-6-4</i>
<i>EMC immunity to interference</i>	<i>acc. to EN 61000-6-2</i>
<i>Shock resistance</i>	<i>acc. to IECacc. to IEC 60068-2-27</i>
<i>Vibration resistance</i>	<i>acc. to IECacc. to IEC 60068-2-6</i>

Images & drawings







### Address

WAGO Kontakttechnik GmbH & Co. KG

Hansastr. 27

32423 Minden

Telefon: 0571/887-0

Fax: 0571/887-169

<http://www.wago.com>

© WAGO Kontakttechnik GmbH & Co. KG

Technische Änderungen und Irrtümer vorbehalten.