

## 5 | Specifications

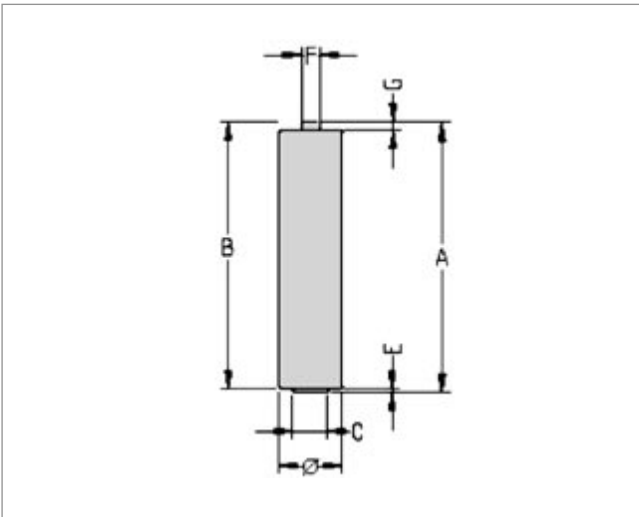
### A. LR03 Powerline

#### 1. Battery Identification

<b>Name:</b>	S / LR03 / AM4 / AAA / MN2400
<b>Type:</b>	alkaline/ foil
<b>Nominal Voltage:</b>	1.5 V
<b>Electrolyte:</b>	KOH (potassium hydroxide)
<b>Average Weight:</b>	10.8 g

Manufactured by PBBE

#### 2. Battery Dimensions



Dimension (mm)	Max	Min	Typical
A	44.5		44.25
B		43.3	43.85
C		4.3	6.0
E	0.5		0.5
F	3.8		3.3
G		0.8	1.2
ø	10.5	9.5	10.35

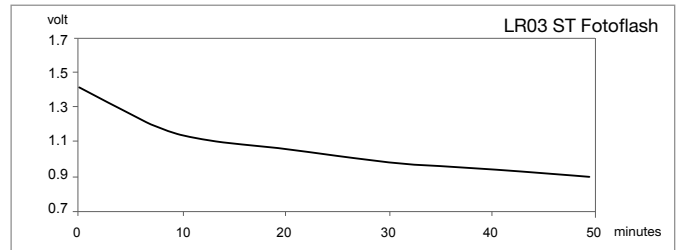
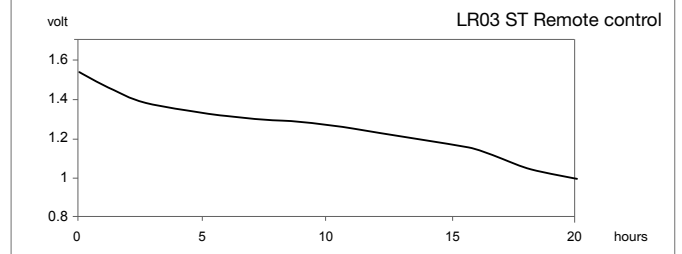
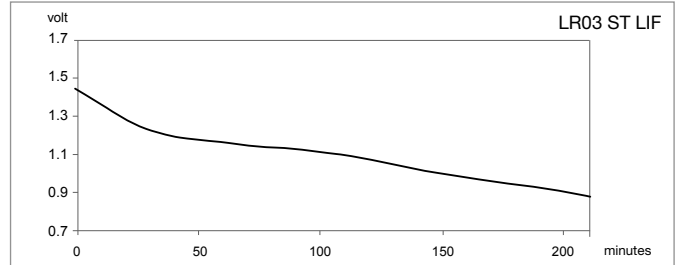
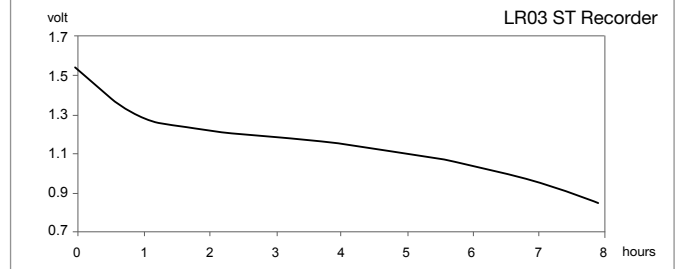
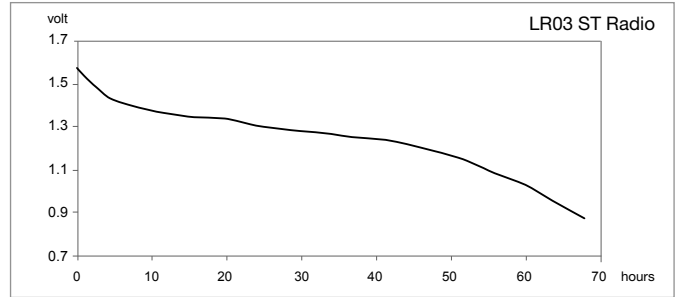
#### 3. Battery Performance

TEST	DRAIN	DAILY PERIOD	END POINT	TYPICAL	MIN AVG
<b>Radio</b>	75 ohm	4 h	0.9 V	64 h	60.6 h
<b>Recorder</b>	10 ohm	1 h	0.9 V	7.5 h	6.4 h
<b>LIF*</b>	5.1 ohm	4 min/h-8 h/d	0.9 V	205 min	170 min
<b>Remote Control</b>	24 ohm	15s/min-8 h/d	1 V	18 h	17.1 h
<b>Fotoflash</b>	600 mA	10 s/min-1h/d	0.9 V	270 pulses	206 pulses

\* Low Intensity

Typical Discharge Values

#### 4. Discharge Curves



#### 5. Product Safety Data Sheet

Item	Material	% (Weight)
Total Weight		10.8 g
Cathode	MnO <sub>2</sub> /C	42 %
Anode	Zn/KOH	23 %
Separator	Paper	1 %
Current Collector	Brass	2 %
Electrolyte	KOH/H <sub>2</sub> O	6 %
Steel Can	Ni plated steel	21 %
Bottomplate	Ni plated steel	1 %
Washer	Steel, zinc	2 %
Label	PVC	2 %

No Mercury (Hg), Cadmium (Cd) or Lead (Pb) are used in the battery.