

# DATA SHEET

For a complete data sheet, please also download:

- The IC06 74HC/HCT/HCU/HCMOS Logic Family Specifications
- The IC06 74HC/HCT/HCU/HCMOS Logic Package Information
- The IC06 74HC/HCT/HCU/HCMOS Logic Package Outlines

## **74HC/HCT4053**

Triple 2-channel analog  
multiplexer/demultiplexer

Product specification  
File under Integrated Circuits, IC06

December 1990

## Triple 2-channel analog multiplexer/demultiplexer

## 74HC/HCT4053

### FEATURES

- Low “ON” resistance:  
80  $\Omega$  (typ.) at  $V_{CC} - V_{EE} = 4.5$  V  
70  $\Omega$  (typ.) at  $V_{CC} - V_{EE} = 6.0$  V  
60  $\Omega$  (typ.) at  $V_{CC} - V_{EE} = 9.0$  V
- Logic level translation:  
to enable 5 V logic to communicate with  $\pm 5$  V analog signals
- Typical “break before make” built in
- Output capability: non-standard
- $I_{CC}$  category: MSI

### GENERAL DESCRIPTION

The 74HC/HCT4053 are high-speed Si-gate CMOS devices and are pin compatible with the “4053” of the “4000B” series. They are specified in compliance with JEDEC standard no. 7A.

### QUICK REFERENCE DATA

$V_{EE} = GND = 0$  V;  $T_{amb} = 25$  °C;  $t_r = t_f = 6$  ns

SYMBOL	PARAMETER	CONDITIONS	TYPICAL		UNIT
			HC	HCT	
$t_{PZH}/t_{PZL}$	turn “ON” time $\bar{E}$ to $V_{OS}$ $S_n$ to $V_{OS}$	$C_L = 15$ pF; $R_L = 1$ k $\Omega$ ; $V_{CC} = 5$ V	17	23	ns
			21	21	ns
$t_{PHZ}/t_{PLZ}$	turn “OFF” time $\bar{E}$ to $V_{OS}$ $S_n$ to $V_{OS}$		18	20	ns
			17	19	ns
$C_I$	input capacitance		3.5	3.5	pF
$C_{PD}$	power dissipation capacitance per switch	notes 1 and 2	36	36	pF
$C_S$	max. switch capacitance independent (Y) common (Z)		5	5	pF
			8	8	pF

### Notes

1.  $C_{PD}$  is used to determine the dynamic power dissipation ( $P_D$  in  $\mu$ W):

$$P_D = C_{PD} \times V_{CC}^2 \times f_i + \sum \{(C_L + C_S) \times V_{CC}^2 \times f_o\} \text{ where:}$$

$f_i$  = input frequency in MHz;  $f_o$  = output frequency in MHz

$\sum \{(C_L + C_S) \times V_{CC}^2 \times f_o\}$  = sum of outputs

$C_L$  = output load capacitance in pF;  $C_S$  = max. switch capacitance in pF

$V_{CC}$  = supply voltage in V

2. For HC the condition is  $V_I = GND$  to  $V_{CC}$

For HCT the condition is  $V_I = GND$  to  $V_{CC} - 1.5$  V

The 74HC/HCT4053 are triple 2-channel analog multiplexers/demultiplexers with a common enable input ( $\bar{E}$ ). Each multiplexer/demultiplexer has two independent inputs/outputs ( $nY_0$  and  $nY_1$ ), a common input/output ( $nZ$ ) and three digital select inputs ( $S_1$  to  $S_3$ ).

With  $\bar{E}$  LOW, one of the two switches is selected (low impedance ON-state) by  $S_1$  to  $S_3$ . With  $\bar{E}$  HIGH, all switches are in the high impedance OFF-state, independent of  $S_1$  to  $S_3$ .

$V_{CC}$  and GND are the supply voltage pins for the digital control inputs ( $S_1$ , to  $S_3$ , and  $\bar{E}$ ). The  $V_{CC}$  to GND ranges are 2.0 to 10.0 V for HC and 4.5 to 5.5 V for HCT. The analog inputs/outputs ( $nY_0$  and  $nY_1$ , and  $nZ$ ) can swing between  $V_{CC}$  as a positive limit and  $V_{EE}$  as a negative limit.  $V_{CC} - V_{EE}$  may not exceed 10.0 V.

For operation as a digital multiplexer/demultiplexer,  $V_{EE}$  is connected to GND (typically ground).

# Triple 2-channel analog multiplexer/demultiplexer

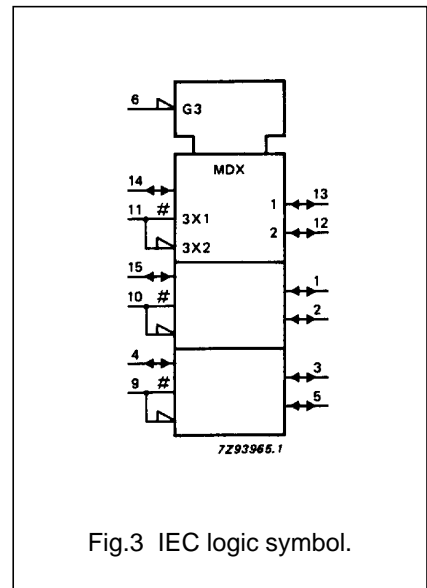
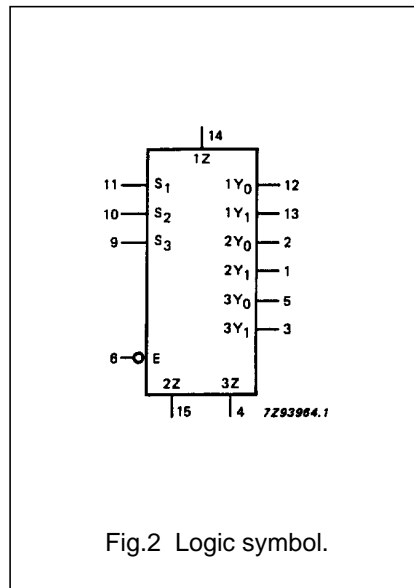
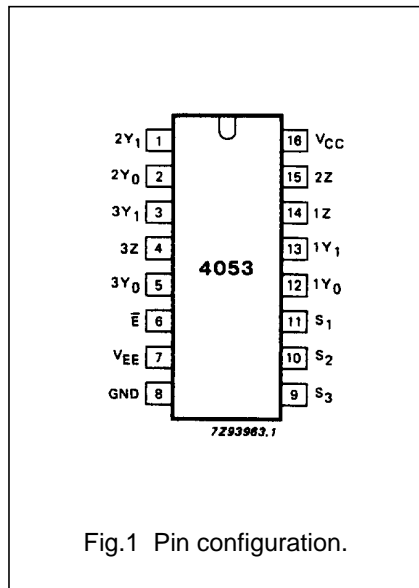
74HC/HCT4053

## ORDERING INFORMATION

See "74HC/HCT/HCU/HCMOS Logic Package Information".

## PIN DESCRIPTION

PIN NO.	SYMBOL	NAME AND FUNCTION
2, 1	2Y <sub>0</sub> to, 2Y <sub>1</sub>	independent inputs/outputs
5, 3	3Y <sub>0</sub> to, 3Y <sub>1</sub>	independent inputs/outputs
6	$\bar{E}$	enable input (active LOW)
7	V <sub>EE</sub>	negative supply voltage
8	GND	ground (0 V)
11, 10, 9	S <sub>1</sub> to S <sub>3</sub>	select inputs
12, 13	1Y <sub>0</sub> , 1Y <sub>1</sub>	independent inputs/outputs
14, 15, 4	1Z to 3Z	common inputs/outputs
16	V <sub>CC</sub>	positive supply voltage



# Triple 2-channel analog multiplexer/demultiplexer

74HC/HCT4053

### APPLICATIONS

- Analog multiplexing and demultiplexing
- Digital multiplexing and demultiplexing
- Signal gating

### FUNCTION TABLE

INPUTS		CHANNEL ON
$\bar{E}$	$S_n$	
L	L	$nY_0 - nZ$
L	H	$nY_1 - nZ$
H	X	none

### Note

1. H = HIGH voltage level  
L = LOW voltage level  
X = don't care

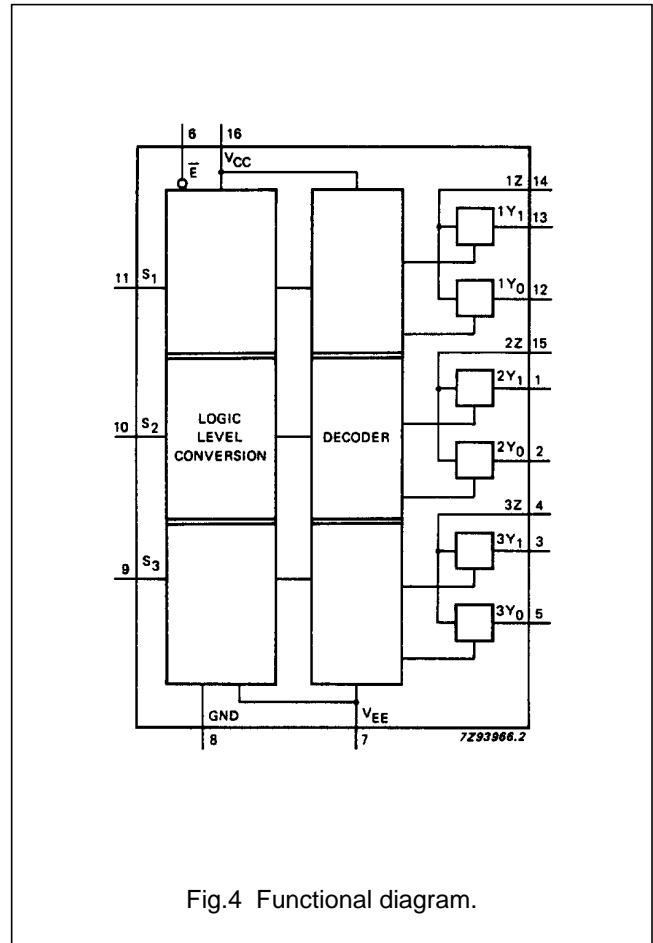


Fig.4 Functional diagram.

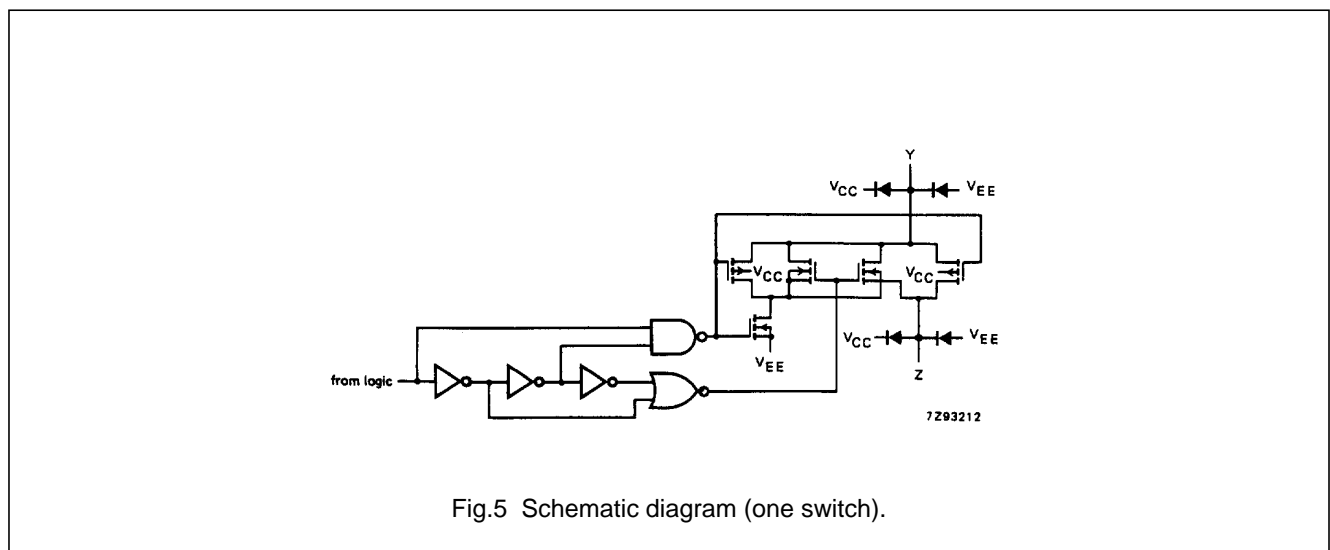


Fig.5 Schematic diagram (one switch).

# Triple 2-channel analog multiplexer/demultiplexer

74HC/HCT4053

## RATINGS

Limiting values in accordance with the Absolute Maximum System (IEC 134)

Voltages are referenced to  $V_{EE} = \text{GND}$  (ground = 0 V)

SYMBOL	PARAMETER	MIN.	MAX.	UNIT	CONDITIONS
$V_{CC}$	DC supply voltage	-0.5	+11.0	V	
$\pm I_{IK}$	DC digital input diode current		20	mA	for $V_I < -0.5 \text{ V}$ or $V_I > V_{CC} + 0.5 \text{ V}$
$\pm I_{SK}$	DC switch diode current		20	mA	for $V_S < -0.5 \text{ V}$ or $V_S > V_{CC} + 0.5 \text{ V}$
$\pm I_S$	DC switch current		25	mA	for $-0.5 \text{ V} < V_S < V_{CC} + 0.5 \text{ V}$
$\pm I_{EE}$	DC $V_{EE}$ current		20	mA	
$\pm I_{CC}; \pm I_{GND}$	DC $V_{CC}$ or GND current		50	mA	
$T_{stg}$	storage temperature range	-65	+150	°C	
$P_{tot}$	power dissipation per package				for temperature range: -40 to + 125 °C 74HC/HCT
	plastic DIL		750	mW	above + 70 °C: derate linearly with 12 mW/K
	plastic mini-pack (SO)		500	mW	above + 70 °C: derate linearly with 8 mW/K
$P_S$	power dissipation per switch		100	mW	

### Note to ratings

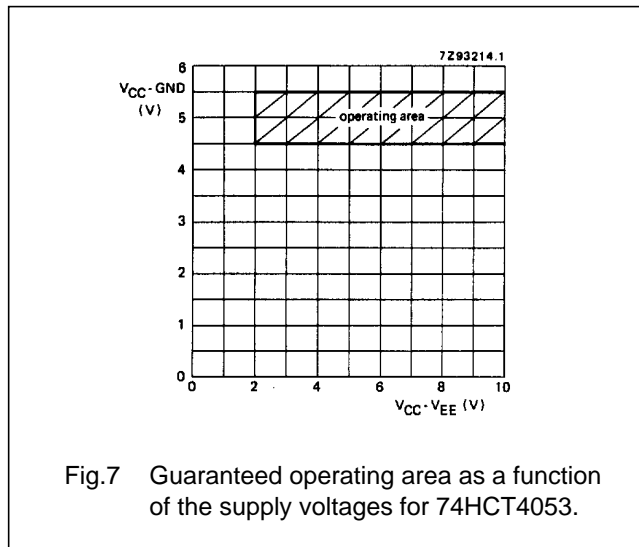
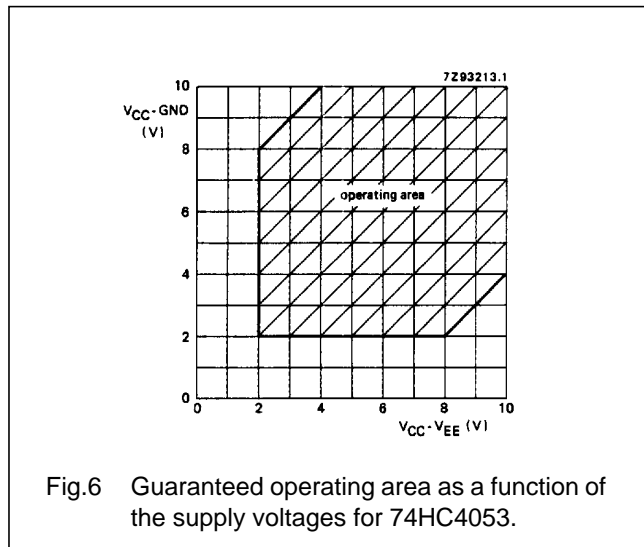
To avoid drawing  $V_{CC}$  current out of terminals  $nZ$ , when switch current flows in terminals  $nY_n$ , the voltage drop across the bidirectional switch must not exceed 0.4 V. If the switch current flows into terminals  $nZ$ , no  $V_{CC}$  current will flow out of terminals  $nY_n$ . In this case there is no limit for the voltage drop across the switch, but the voltages at  $nY_n$  and  $nZ$  may not exceed  $V_{CC}$  or  $V_{EE}$ .

## RECOMMENDED OPERATING CONDITIONS

SYMBOL	PARAMETER	74HC			74HCT			UNIT	CONDITIONS
		min.	typ.	max.	min.	typ.	max.		
$V_{CC}$	DC supply voltage $V_{CC}-\text{GND}$	2.0	5.0	10.0	4.5	5.0	5.5	V	see Figs 6 and 7
$V_{CC}$	DC supply voltage $V_{CC}-V_{EE}$	2.0	5.0	10.0	2.0	5.0	10.0	V	see Figs 6 and 7
$V_I$	DC input voltage range	GND		$V_{CC}$	GND		$V_{CC}$	V	
$V_S$	DC switch voltage range	$V_{EE}$		$V_{CC}$	$V_{EE}$		$V_{CC}$	V	
$T_{amb}$	operating ambient temperature range	-40		+85	-40		+85	°C	see DC and AC CHARACTERISTICS
$T_{amb}$	operating ambient temperature range	-40		+125	-40		+125	°C	
$t_r, t_f$	input rise and fall times		6.0	1000 500 400 250		6.0	500	ns	$V_{CC} = 2.0 \text{ V}$ $V_{CC} = 4.5 \text{ V}$ $V_{CC} = 6.0 \text{ V}$ $V_{CC} = 10.0 \text{ V}$

# Triple 2-channel analog multiplexer/demultiplexer

## 74HC/HCT4053



### DC CHARACTERISTICS FOR 74HC/HCT

For 74HC:  $V_{CC} - GND$  or  $V_{CC} - V_{EE} = 2.0, 4.5, 6.0$  and  $9.0$  V

For 74HCT:  $V_{CC} - GND = 4.5$  and  $5.5$  V;  $V_{CC} - V_{EE} = 2.0, 4.5, 6.0$  and  $9.0$  V

SYMBOL	PARAMETER	$T_{amb}$ (°C)								UNIT	TEST CONDITIONS				
		74HC/HCT									$V_{CC}$ (V)	$V_{EE}$ (V)	$I_S$ ( $\mu A$ )	$V_{is}$	$V_I$
		+ 25			-40 to +85		-40 to +125								
		min.	typ.	max.	min.	max.	min.	max.							
$R_{ON}$	ON resistance (peak)		-	-		-		-	$\Omega$	2.0	0	100	$V_{CC}$ to $V_{EE}$	$V_{IH}$ or $V_{IL}$	
			100	180		225		270	$\Omega$	4.5	0	1000			
			90	160		200		240	$\Omega$	6.0	0	1000			
			70	130		165		195	$\Omega$	4.5	-4.5	1000			
$R_{ON}$	ON resistance (rail)		150	-		-		-	$\Omega$	2.0	0	100	$V_{EE}$	$V_{IH}$ or $V_{IL}$	
			80	140		175		210	$\Omega$	4.5	0	1000			
			70	120		150		180	$\Omega$	6.0	0	1000			
			60	105		130		160	$\Omega$	4.5	-4.5	1000			
$R_{ON}$	ON resistance (rail)		150	-		-		-	$\Omega$	2.0	0	100	$V_{CC}$	$V_{IH}$ or $V_{IL}$	
			90	160		200		240	$\Omega$	4.5	0	1000			
			80	140		175		210	$\Omega$	6.0	0	1000			
			65	120		150		180	$\Omega$	4.5	-4.5	1000			
$\Delta R_{ON}$	maximum $\Delta R_{ON}$ resistance between any two channels		-						$\Omega$	2.0	0		$V_{CC}$ to $V_{EE}$	$V_{IH}$ or $V_{IL}$	
			9						$\Omega$	4.5	0				
			8						$\Omega$	6.0	0				
			6						$\Omega$	4.5	-4.5				

### Notes to the characteristics

- At supply voltages ( $V_{CC} - V_{EE}$ ) approaching 2.0 V the analog switch ON-resistance becomes extremely non-linear. Therefore it is recommended that these devices be used to transmit digital signals only, when using these supply voltages.
- For test circuit measuring  $R_{ON}$  see Fig.8.

# Triple 2-channel analog multiplexer/demultiplexer

74HC/HCT4053

**DC CHARACTERISTICS FOR 74HC**

Voltages are referenced to GND (ground = 0 V)

SYMBOL	PARAMETER	T <sub>amb</sub> (°C)								UNIT	TEST CONDITIONS			
		74HC									V <sub>CC</sub> V	V <sub>EE</sub> V	V <sub>I</sub>	OTHER
		+25			-40 to +85		-40 to +125							
		min.	typ.	max.	min.	max.	min.	max.						
V <sub>IH</sub>	HIGH level input voltage	1.5 3.15 4.2 6.3	1.2 2.4 3.2 4.7		1.5 3.15 4.2 6.3		1.5 3.15 4.2 6.3		V	2.0 4.5 6.0 9.0				
V <sub>IL</sub>	LOW level input voltage		0.8 2.1 2.8 4.3	0.5 1.35 1.8 2.7		0.5 1.35 1.8 2.7		0.5 1.35 1.8 2.7	V	2.0 4.5 6.0 9.0				
±I <sub>I</sub>	input leakage current			0.1 0.2		1.0 2.0		1.0 2.0	µA	6.0 10.0	0 0	V <sub>CC</sub> or GND		
±I <sub>S</sub>	analog switch OFF-state current per channel			0.1		1.0		1.0	µA	10.0	0	V <sub>IH</sub> or V <sub>IL</sub>	M <sub>S</sub>   = V <sub>CC</sub> - V <sub>EE</sub> (see Fig.10)	
±I <sub>S</sub>	analog switch OFF-state current all channels			0.1		1.0		1.0	µA	10.0	0	V <sub>IH</sub> or V <sub>IL</sub>	M <sub>S</sub>   = V <sub>CC</sub> - V <sub>EE</sub> (see Fig.10)	
±I <sub>S</sub>	analog switch ON-state current			0.1		1.0		1.0	µA	10.0	0	V <sub>IH</sub> or V <sub>IL</sub>	M <sub>S</sub>   = V <sub>CC</sub> - V <sub>EE</sub> (see Fig.11)	
I <sub>CC</sub>	quiescent supply current			8.0 16.0		80.0 160.0		160.0 320.0	µA	6.0 10.0	0 0	V <sub>CC</sub> or GND	V <sub>is</sub> = V <sub>EE</sub> or V <sub>CC</sub> ; V <sub>OS</sub> = V <sub>CC</sub> or V <sub>EE</sub>	

# Triple 2-channel analog multiplexer/demultiplexer

74HC/HCT4053

**AC CHARACTERISTICS FOR 74HC**GND = 0 V;  $t_r = t_f = 6$  ns;  $C_L = 50$  pF

SYMBOL	PARAMETER	$T_{amb}$ (°C)								UNIT	TEST CONDITIONS		
		74HC									$V_{CC}$ (V)	$V_{EE}$ (V)	OTHER
		+25			-40 to +85		-40 to +125						
		min.	typ.	max.	min.	max.	min.	max.					
$t_{PHL}/t_{PLH}$	propagation delay $V_{is}$ to $V_{os}$		15 5 4 4	60 12 10 8		75 15 13 10		90 18 15 12	ns	2.0 4.5 6.0 4.5	0 0 0 -4.5	$R_L = \infty$ ; $C_L = 50$ pF (see Fig.18)	
$t_{PZH}/t_{PZL}$	turn "ON" time $\bar{E}$ to $V_{os}$		60 20 16 15	220 44 37 31		275 55 47 39		330 66 56 47	ns	2.0 4.5 6.0 4.5	0 0 0 -4.5	$R_L = 1$ k $\Omega$ ; $C_L = 50$ pF (see Figs 19, 20 and 21)	
$t_{PZH}/t_{PZL}$	turn "ON" time $S_n$ to $V_{os}$		75 25 20 15	220 44 37 31		275 55 47 39		330 66 56 47	ns	2.0 4.5 6.0 4.5	0 0 0 -4.5	$R_L = 1$ k $\Omega$ ; $C_L = 50$ pF (see Figs 19, 20 and 21)	
$t_{PHZ}/t_{PLZ}$	turn "OFF" time $\bar{E}$ to $V_{os}$		63 21 17 15	210 42 36 29		265 53 45 36		315 63 54 44	ns	2.0 4.5 6.0 4.5	0 0 0 -4.5	$R_L = 1$ k $\Omega$ ; $C_L = 50$ pF (see Figs 19, 20 and 21)	
$t_{PHZ}/t_{PLZ}$	turn "OFF" time $S_n$ to $V_{os}$		60 20 16 15	210 42 36 29		265 53 45 36		315 63 54 44	ns	2.0 4.5 6.0 4.5	0 0 0 -4.5	$R_L = 1$ k $\Omega$ ; $C_L = 50$ pF (see Figs 19, 20 and 21)	



# Triple 2-channel analog multiplexer/demultiplexer

74HC/HCT4053

## DC CHARACTERISTICS FOR 74HCT

Voltages are referenced to GND (ground = 0 V)

SYMBOL	PARAMETER	T <sub>amb</sub> (°C)							UNIT	TEST CONDITIONS			
		74HCT								V <sub>CC</sub> (V)	V <sub>EE</sub> (V)	V <sub>I</sub>	OTHER
		+25			-40 to +85		-40 to +125						
		min.	typ.	max.	min.	max.	min.	max.					
V <sub>IH</sub>	HIGH level input voltage	2.0	1.6		2.0		2.0		V	4.5 to 5.5			
V <sub>IL</sub>	LOW level input voltage		1.2	0.8		0.8		0.8	V	4.5 to 5.5			
±I <sub>I</sub>	input leakage current			0.1		1.0		1.0	µA	5.5	0	V <sub>CC</sub> or GND	
±I <sub>S</sub>	analog switch OFF-state current per channel			0.1		1.0		1.0	µA	10.0	0	V <sub>IH</sub> or V <sub>IL</sub>	M <sub>S</sub>   = V <sub>CC</sub> - V <sub>EE</sub> Fig.10
±I <sub>S</sub>	analog switch OFF-state current all channels			0.1		1.0		1.0	µA	10.0	0	V <sub>IH</sub> or V <sub>IL</sub>	M <sub>S</sub>   = V <sub>CC</sub> - V <sub>EE</sub> Fig.10
±I <sub>S</sub>	analog switch ON-state current			0.1		1.0		1.0	µA	10.0	0	V <sub>IH</sub> or V <sub>IL</sub>	M <sub>S</sub>   = V <sub>CC</sub> - V <sub>EE</sub> Fig.11
I <sub>CC</sub>	quiescent supply current			8.0 16.0		80.0 160.0		160.0 320.0	µA	5.5 5.0	0 -5.0	V <sub>CC</sub> or GND	V <sub>IS</sub> = V <sub>EE</sub> or V <sub>CC</sub> ; V <sub>OS</sub> = V <sub>CC</sub> or V <sub>EE</sub>
ΔI <sub>CC</sub>	additional quiescent supply current per input pin for unit load coefficient is 1 (note 1)		100	360		450		490	µA	4.5 to 5.5	0	V <sub>CC</sub> -2.1 V	other inputs at V <sub>CC</sub> or GND

### Note to HCT types

- The value of additional quiescent supply current (ΔI<sub>CC</sub>) for a unit load of 1 is given here.  
To determine ΔI<sub>CC</sub> per input, multiply this value by the unit load coefficient shown in the table below.

INPUT	UNIT LOAD COEFFICIENT
S <sub>n</sub>	0.50
E	0.50

# Triple 2-channel analog multiplexer/demultiplexer

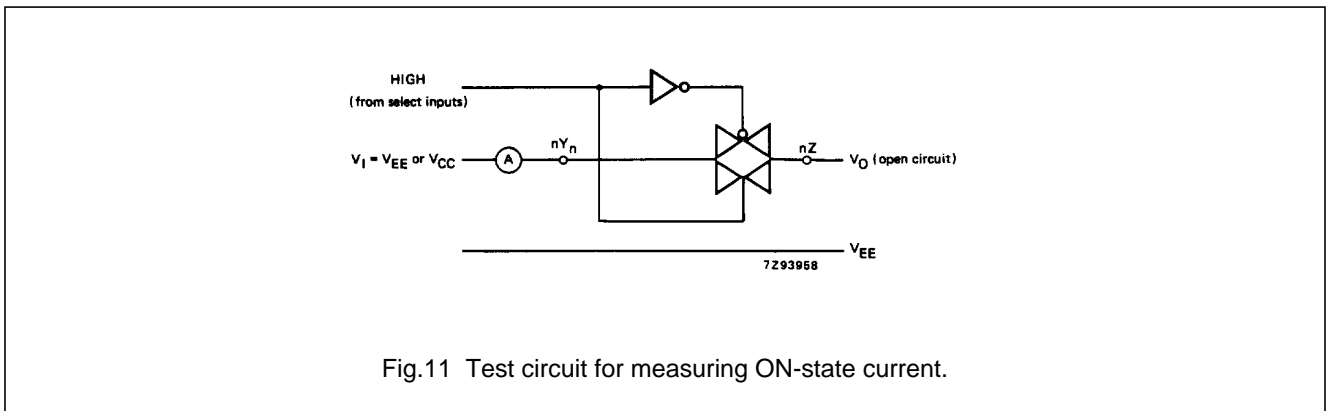
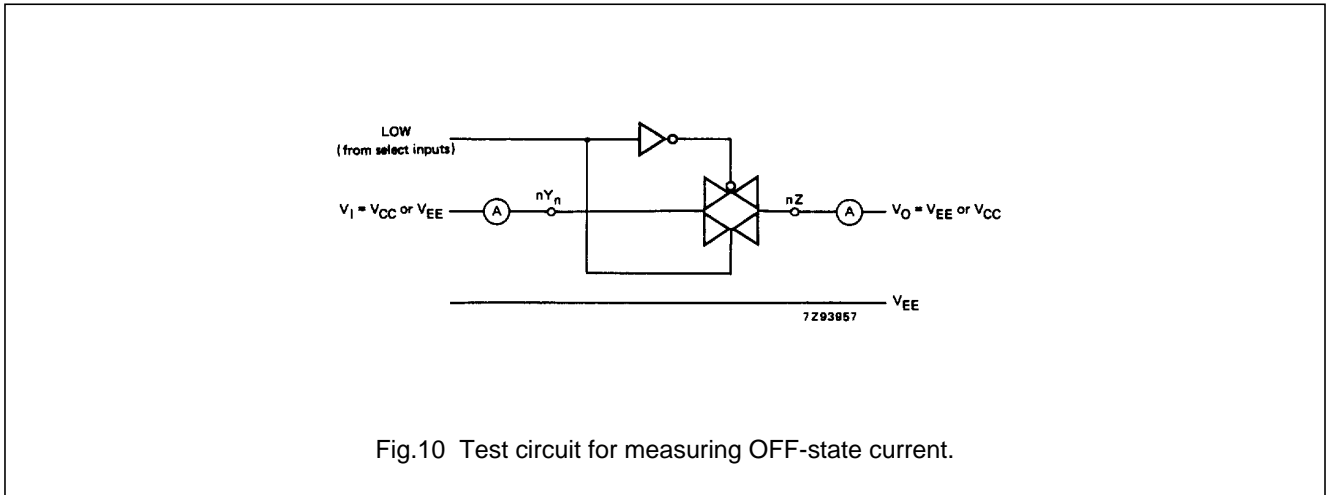
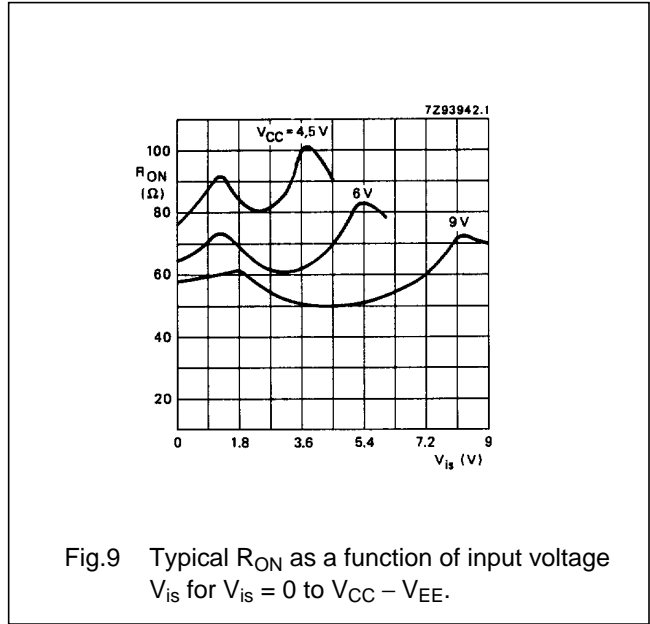
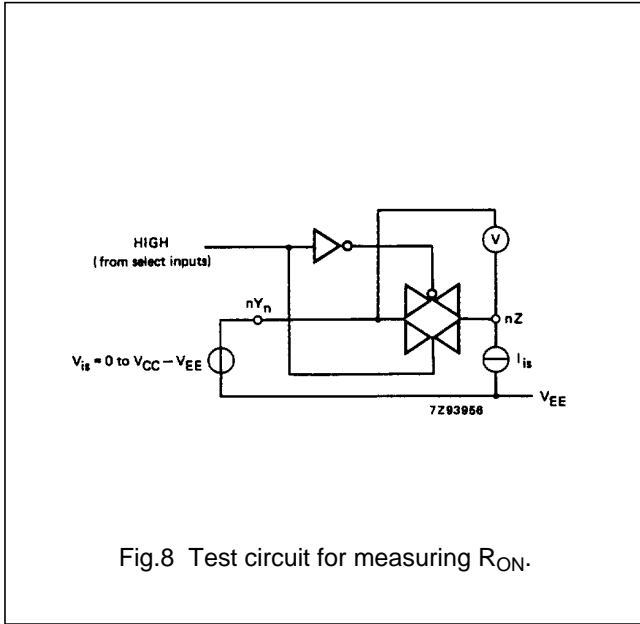
74HC/HCT4053

**AC CHARACTERISTICS FOR 74HCT**GND = 0 V;  $t_r = t_f = 6$  ns;  $C_L = 50$  pF

SYMBOL	PARAMETER	$T_{amb}$ (°C)								UNIT	TEST CONDITIONS		
		74HCT									$V_{CC}$ (V)	$V_{EE}$ (V)	OTHER
		+25			-40 to +85		-40 to +125						
		min.	typ.	max.	min.	max.	min.	max.					
$t_{PHL}/t_{PLH}$	propagation delay $V_{is}$ to $V_{os}$		5 4	12 8		15 10		18 12	ns	4.5 4.5	0 -4.5	$R_L = \infty$ ; $C_L = 50$ pF (see Fig.18)	
$t_{PZH}/t_{PZL}$	turn "ON" time $\bar{E}$ to $V_{os}$		27 16	48 34		60 43		72 51	ns	4.5 4.5	0 -4.5	$R_L = 1$ k $\Omega$ ; $C_L = 50$ pF (see Figs 19, 20 and 21)	
$t_{PZH}/t_{PZL}$	turn "ON" time $S_n$ to $V_{os}$		25 16	48 34		60 43		72 51	ns	4.5 4.5	0 -4.5	$R_L = 1$ k $\Omega$ ; $C_L = 50$ pF (see Figs 19, 20 and 21)	
$t_{PHZ}/t_{PLZ}$	turn "OFF" time $\bar{E}$ to $V_{os}$		24 15	44 31		55 39		66 47	ns	4.5 4.5	0 -4.5	$R_L = 1$ k $\Omega$ ; $C_L = 50$ pF (see Figs 19, 20 and 21)	
$t_{PHZ}/t_{PLZ}$	turn "OFF" time $S_n$ to $V_{os}$		22 15	44 31		55 39		66 47	ns	4.5 4.5	0 -4.5	$R_L = 1$ k $\Omega$ ; $C_L = 50$ pF (see Figs 19, 20 and 21)	

Triple 2-channel analog multiplexer/demultiplexer

74HC/HCT4053



# Triple 2-channel analog multiplexer/demultiplexer

74HC/HCT4053

## ADDITIONAL AC CHARACTERISTICS FOR 74HC/HCT

### Recommended conditions and typical values

GND = 0 V;  $T_{amb} = 25\text{ }^{\circ}\text{C}$ 

SYMBOL	PARAMETER	typ.	UNIT	$V_{CC}$ (V)	$V_{EE}$ (V)	$V_{is(p-p)}$ (V)	CONDITIONS
	sine-wave distortion $f = 1\text{ kHz}$	0.04 0.02	% %	2.25 4.5	-2.25 -4.5	4.0 8.0	$R_L = 10\text{ k}\Omega$ ; $C_L = 50\text{ pF}$ (see Fig.14)
	sine-wave distortion $f = 10\text{ kHz}$	0.12 0.06	% %	2.25 4.5	-2.25 -4.5	4.0 8.0	$R_L = 10\text{ k}\Omega$ ; $C_L = 50\text{ pF}$ (see Fig.14)
	switch "OFF" signal feed-through	-50 -50	dB dB	2.25 4.5	-2.25 -4.5	note 1	$R_L = 600\text{ }\Omega$ ; $C_L = 50\text{ pF}$ $f = 1\text{ MHz}$ see (Fig.12 and 15)
	crosstalk between any two switches/ multiplexers	-60 -60	dB dB	2.25 4.5	-2.25 -4.5	note 1	$R_L = 600\text{ }\Omega$ ; $C_L = 50\text{ pF}$ ; $f = 1\text{ MHz}$ (see Fig.16)
$V_{(p-p)}$	crosstalk voltage between control and any switch (peak-to-peak value)	110 220	mV mV	4.5 4.5	0 -4.5		$R_L = 600\text{ k}\Omega$ ; $C_L = 50\text{ pF}$ ; $f = 1\text{ MHz}$ ( $\bar{E}$ or $S_n$ , square-wave between $V_{CC}$ and GND, $t_r = t_f = 6\text{ ns}$ (see Fig.17)
$f_{max}$	minimum frequency response (-3dB)	160 170	MHz MHz	2.25 4.5	-2.25 -4.5	note 2	$R_L = 50\text{ }\Omega$ ; $C_L = 10\text{ pF}$ (see Fig.13 and 14)
$C_S$	maximum switch capacitance independent (Y) common (Z)	5 8	pF pF				

### Notes to the AC characteristics

1. Adjust input voltage  $V_{is}$  to 0 dBm level (0 dBm = 1 mW into 600  $\Omega$ ).
2. Adjust input voltage  $V_{is}$  to 0 dBm level at  $V_{Os}$  for 1 MHz (0 dBm = 1 mW into 50  $\Omega$ ).

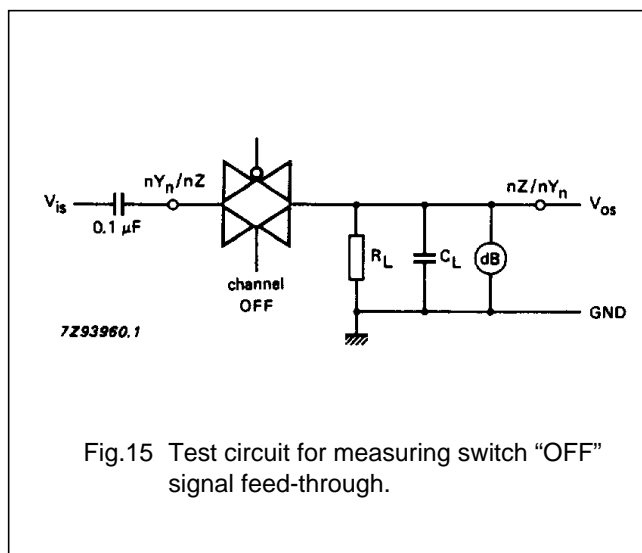
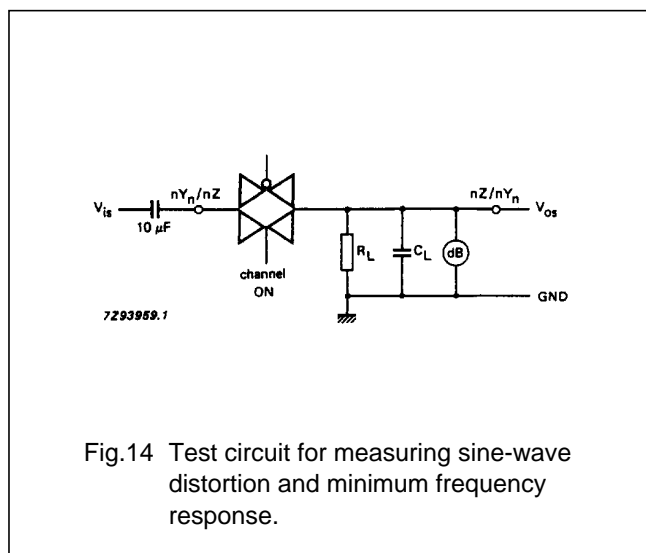
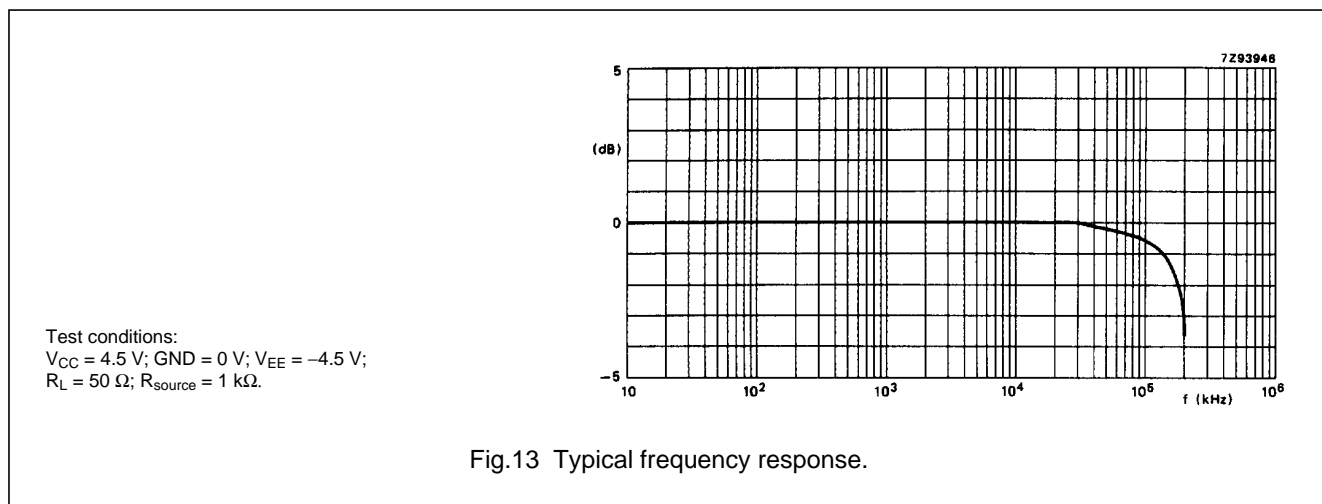
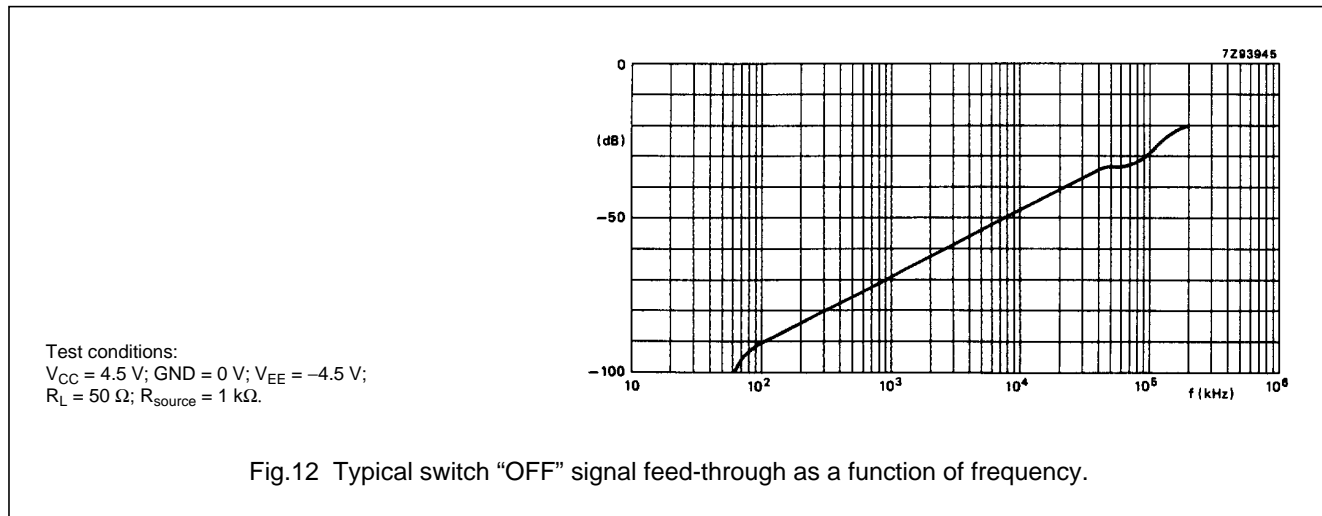
### General note

$V_{is}$  is the input voltage at an  $nY_n$  or  $nZ$  terminal, whichever is assigned as an input.

$V_{Os}$  is the output voltage at an  $nY_n$  or  $nZ$  terminal, whichever is assigned as an output

# Triple 2-channel analog multiplexer/demultiplexer

74HC/HCT4053



Triple 2-channel analog  
multiplexer/demultiplexer

74HC/HCT4053

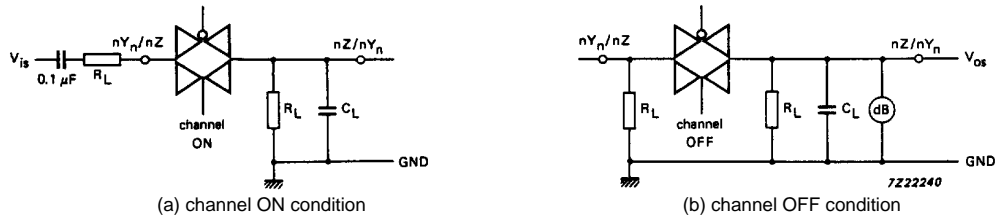


Fig.16 Test circuits for measuring crosstalk between any two switches/multiplexers.

The crosstalk is defined as follows  
(oscilloscope output):

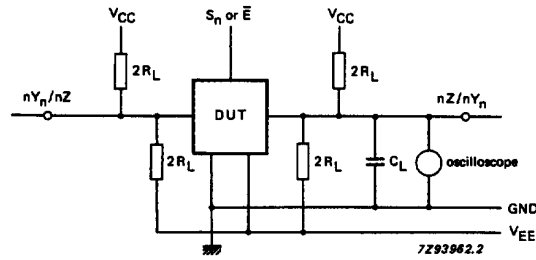
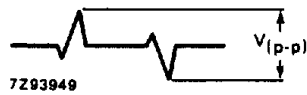


Fig.17 Test circuit for measuring crosstalk between control and any switch.

Triple 2-channel analog  
multiplexer/demultiplexer

74HC/HCT4053

AC WAVEFORMS

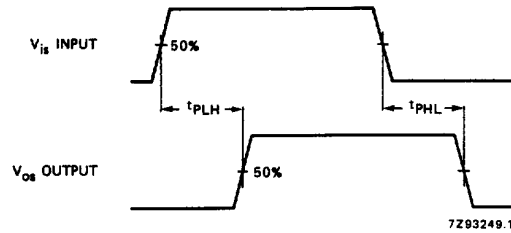
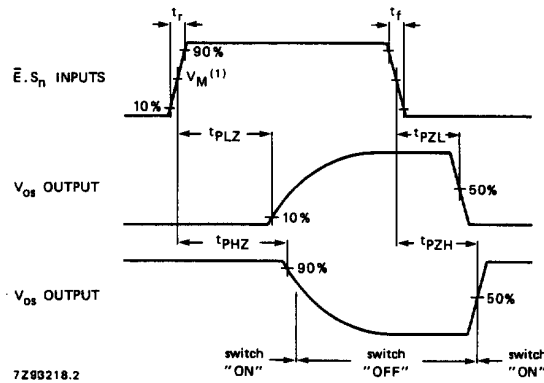


Fig.18 Waveforms showing the input ( $V_{is}$ ) to output ( $V_{os}$ ) propagation delays.



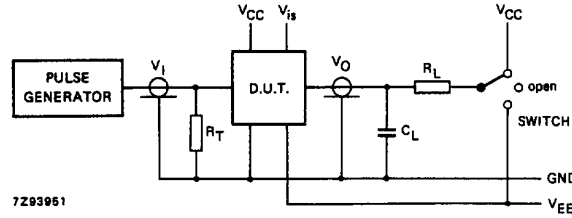
(1) HC :  $V_M = 50\%$ ;  $V_I = \text{GND to } V_{CC}$ .  
HCT:  $V_M = 1.3 V_I = \text{GND to } 3 \text{ V}$ .

Fig.19 Waveforms showing the turn-ON and turn-OFF times.

# Triple 2-channel analog multiplexer/demultiplexer

74HC/HCT4053

## TEST CIRCUIT AND WAVEFORMS



### Conditions

TEST	SWITCH	V <sub>IS</sub>
t <sub>PZH</sub>	V <sub>EE</sub>	V <sub>CC</sub>
t <sub>PZL</sub>	V <sub>CC</sub>	V <sub>EE</sub>
t <sub>PHZ</sub>	V <sub>EE</sub>	V <sub>CC</sub>
t <sub>PLZ</sub>	V <sub>CC</sub>	V <sub>EE</sub>
others	open	pulse

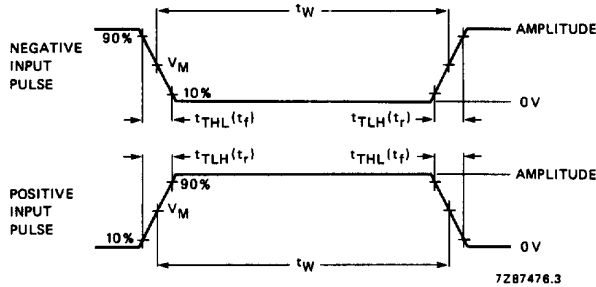
FAMILY	AMPLITUDE	V <sub>M</sub>	t <sub>r</sub> ; t <sub>f</sub>	
			f <sub>max</sub> ; PULSE WIDTH	OTHER
74HC	V <sub>CC</sub>	50%	<2 ns	6 ns
74HCT	3.0 V	1.3 V	<2 ns	6 ns

C<sub>L</sub> = load capacitance including jig and probe capacitance (see AC CHARACTERISTICS for values).

R<sub>T</sub> = termination resistance should be equal to the output impedance Z<sub>O</sub> of the pulse generator.

t<sub>r</sub> = t<sub>f</sub> = 6 ns; when measuring f<sub>max</sub>, there is no constraint to t<sub>r</sub>, t<sub>f</sub> with 50% duty factor.

Fig.20 Test circuit for measuring AC performance.



### Conditions

TEST	SWITCH	V <sub>IS</sub>
t <sub>PZH</sub>	V <sub>EE</sub>	V <sub>CC</sub>
t <sub>PZL</sub>	V <sub>CC</sub>	V <sub>EE</sub>
t <sub>PHZ</sub>	V <sub>EE</sub>	V <sub>CC</sub>
t <sub>PLZ</sub>	V <sub>CC</sub>	V <sub>EE</sub>
others	open	pulse

FAMILY	AMPLITUDE	V <sub>M</sub>	t <sub>r</sub> ; t <sub>f</sub>	
			f <sub>max</sub> ; PULSE WIDTH	OTHER
74HC	V <sub>CC</sub>	50%	<2 ns	6 ns
74HCT	3.0 V	1.3 V	<2 ns	6 ns

C<sub>L</sub> = load capacitance including jig and probe capacitance (see AC CHARACTERISTICS for values).

R<sub>T</sub> = termination resistance should be equal to the output impedance Z<sub>O</sub> of the pulse generator.

t<sub>r</sub> = t<sub>f</sub> = 6 ns; when measuring f<sub>max</sub>, there is no constraint to t<sub>r</sub>, t<sub>f</sub> with 50% duty factor.

Fig.21 Input pulse definitions.



---

Triple 2-channel analog  
multiplexer/demultiplexer

---

74HC/HCT4053

**PACKAGE OUTLINES**

See *"74HC/HCT/HCU/HCMOS Logic Package Outlines"*.