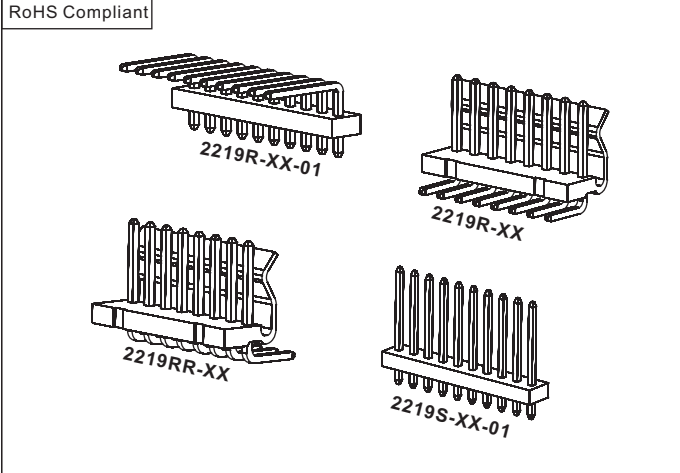


RoHS Compliant



**Specifications**

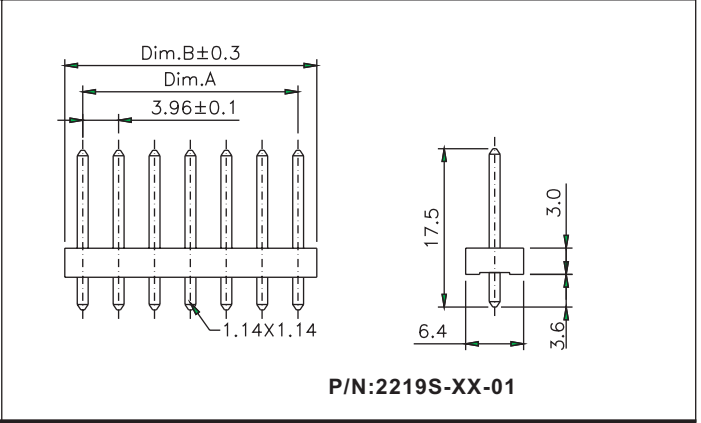
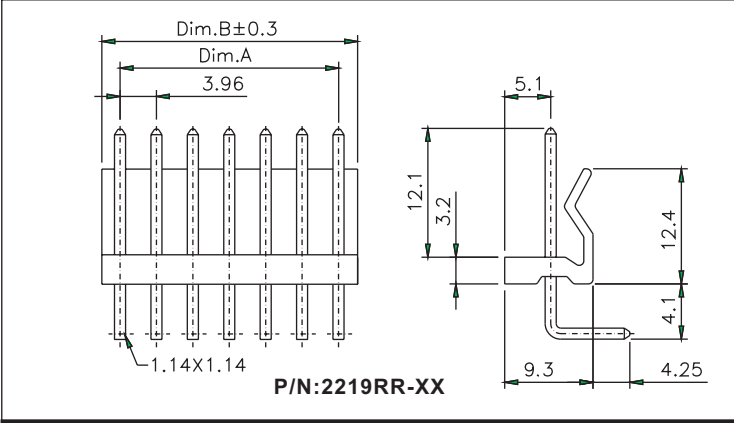
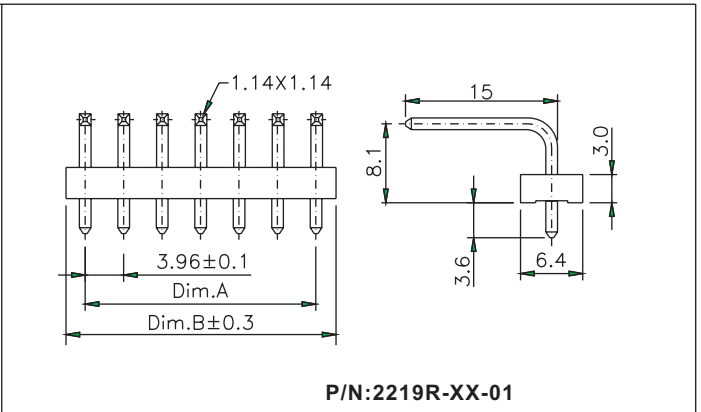
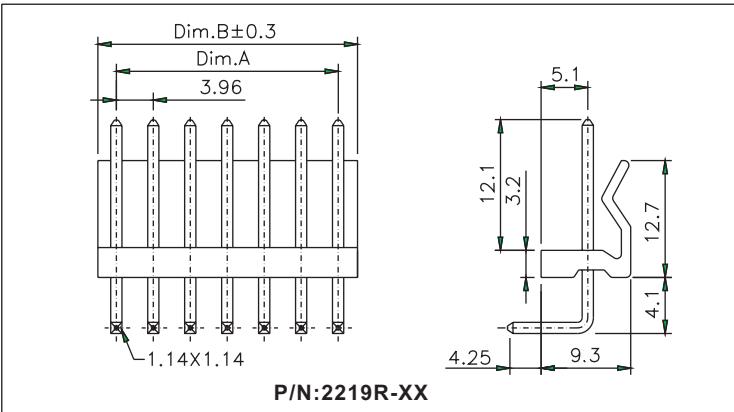
Current rating: 7.0AAC/DC  
Voltage rating: 250V AC/DC  
Contact resistance: 10m ohm. max.  
Insulation resistance: 1000M ohm. Min.  
Withstanding voltage: 1500V AC for one minute  
Operating temperature range: -40°C to +105°C

**Material and Finish**

Wafer Insulator: High Temp. Plastic (UL94V-2)  
Contact: Copper Alloy Tin Plated

**Connection**

2219R(RR)-XX 2219S(R)-XX-01 Mates With 2220H-XX



**Engineering Dimension**

Circuits	Dim. A	Dim. B	Circuits	Dim. A	Dim. B
2	3.96	8.03	12	43.56	47.63
3	7.92	11.99	13	47.52	51.59
4	11.88	15.95	14	51.48	55.55
5	15.84	19.91	15	55.44	59.51
6	19.80	23.87	16	59.40	63.47
7	23.76	27.83	17	63.36	67.43
8	27.72	31.79	18	67.32	71.39
9	31.68	35.75	19	71.28	75.35
10	35.64	39.71	20	75.24	79.31
11	39.60	43.67			

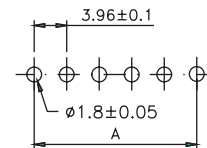
**Ordering Information**

**2219S-XX-01**

① ② ③

① S: Straight Type R: R/A Type RR: R/A Reverse Type	② No. Of Contacts	③ Blank With Lock 01: W/O Lock
---	-------------------	-----------------------------------

**Recommended PCB Layout**



P/N: 2219R(RR)-XX  
P/N: 2219S(R)-XX-01

Unit: mm