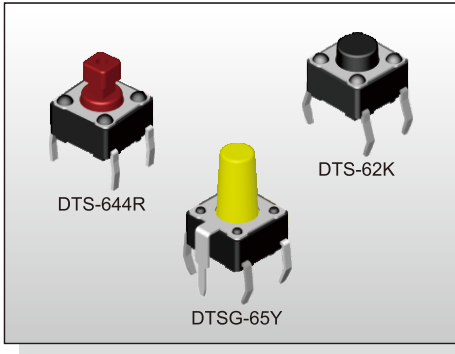


TACT SWITCH DTS(G)-6 SERIES

6x6 Through Hole & Ground Terminal Type



FEATURES

- ※ Compact size 6x6mm
- ※ Sharp tactile feeling
- ※ Cap options

APPLICATION

- ※ Audio, OA equipment
- ※ Instrumentation
- ※ Industrial

SPECIFICATION

| | |
|-----------------------|---|
| Contact Rating | 50mA, 12V DC |
| Contact Resistance | 100mΩ max. |
| Insulation Resistance | 100MΩ min. 500V DC |
| Dielectric Strength | 250V AC/1 minute |
| Operating Force | 70±30gf, Blue(U) 100±50gf, Black(K) 160±50gf, Brown(N) 260±50gf, Red(R) 320±80gf, Salmon(S) 520±130gf, Yellow(Y) |
| Travel | 0.25mm |
| Operating Life | Phosphor Bronze Dome 50,000 cycles for 520/320gf 100,000 cycles for 260gf 200,000 cycles for 160/100/70gf |
| | Stainless Steel Dome 300,000 cycles for 520/320gf 500,000 cycles for 260gf 1,000,000 cycles for 160/100/70gf |
| Operating Temp. | -25°C ~ +70°C |
| Storage Temp. | -30°C ~ +80°C |

HOW TO ORDER

D T S - 6 - - - -

=Without Ground Pin
G=With Ground Pin

Height:
1=4.30mm
2=5.00mm
3=7.00mm
4=7.30mm (SQ.)x2.40mm
48=7.30mm (SQ.)x2.80mm
5=9.50mm
6=13.00mm
8=11.30mm
9=19.50mm

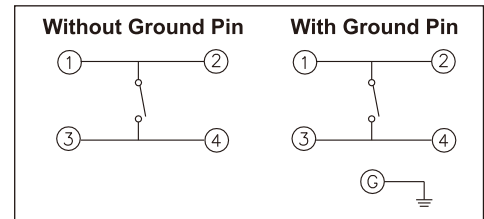
Package:
=Bulk pack
▲B=Tube
(▲DTS-61, 62 Only)

V=RoHS & Lead Free Solderable
Q=Halogen Free

=Phosphor Bronze Dome
S=Stainless Steel Dome

Operating Force:
U=Blue, 70gf
K=Black, 100gf
N=Brown, 160gf
R=Red, 260gf
S=Salmon, 320gf
Y=Yellow, 520gf

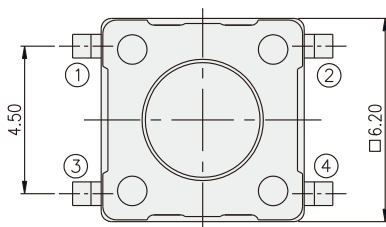
CIRCUIT



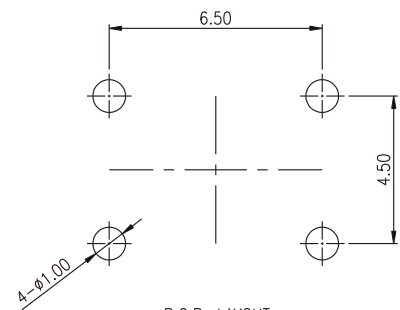
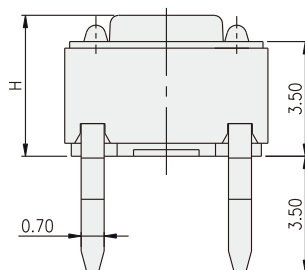
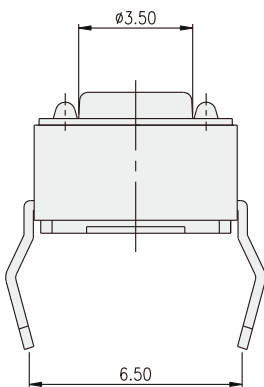
PACKAGE

<Bag>
1000 pcs
<Tub>
DTS-61/62: 75 pcs

DTS-6

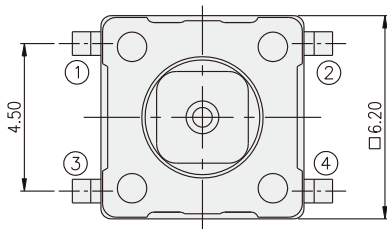


| PART NO. | H |
|----------|-------|
| DTS-61 | 4.30 |
| DTS-62 | 5.00 |
| DTS-63 | 7.00 |
| DTS-65 | 9.50 |
| DTS-66 | 13.00 |
| DTS-68 | 11.30 |
| DTS-69 | 19.50 |

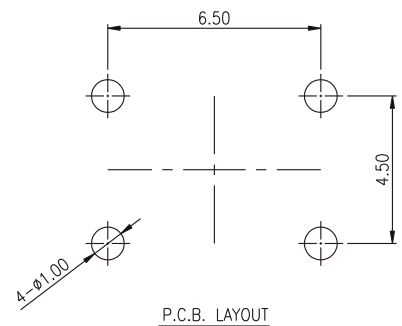
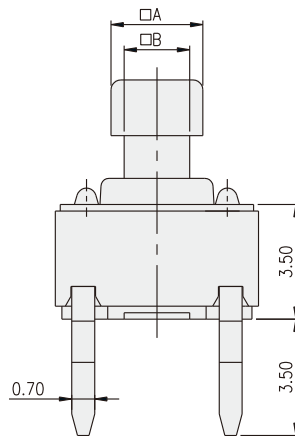
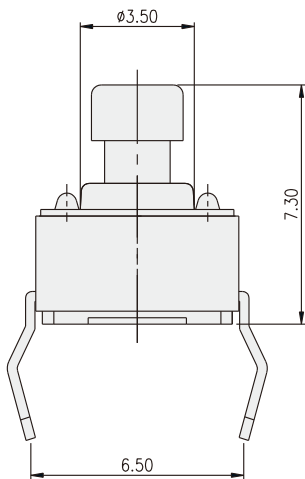


P.C.B. LAYOUT

DTS-644(8)

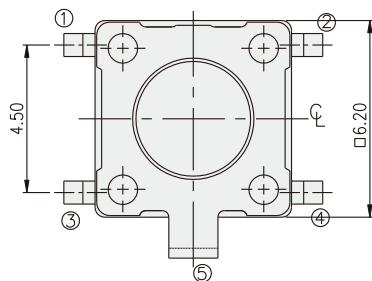


| PART NO. | □A | □B |
|----------|------|------|
| DTS-644 | 2.40 | 1.60 |
| DTS-648 | 2.80 | 2.00 |



TACT SWITCH

DTSG-6



| PART NO. | H |
|----------|-------|
| DTSG-61 | 4.30 |
| DTSG-62 | 5.00 |
| DTSG-63 | 7.00 |
| DTSG-65 | 9.50 |
| DTSG-66 | 13.00 |
| DTSG-68 | 11.30 |
| DTSG-69 | 19.50 |

