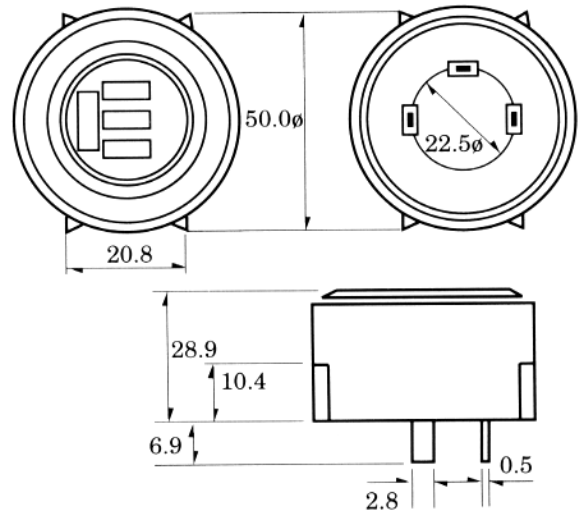


FEATURES:

- ▲ P.C. BOARD MOUNTING
- ▲ VERY HIGH SOUND OUTPUT
- ▲ WAVE SOLDERABLE AND WASHABLE

Model NO.	SEP-5500
Oscillating Frequency (± 500 Hz)	2,500
Operating Voltage (VDC)	3~13
Sound Pressure Level at 30 cm/12VDC (dB min)	104
Current Consumption at 12VDC (mA max)	50
Tone	Continuous
Operating Temperature (°C)	-20° ~ 60°
Storage Temperature (°C)	-30° ~ 70°
Weight (Gram)	27.5



CONNECTIONS SEP-5500

