

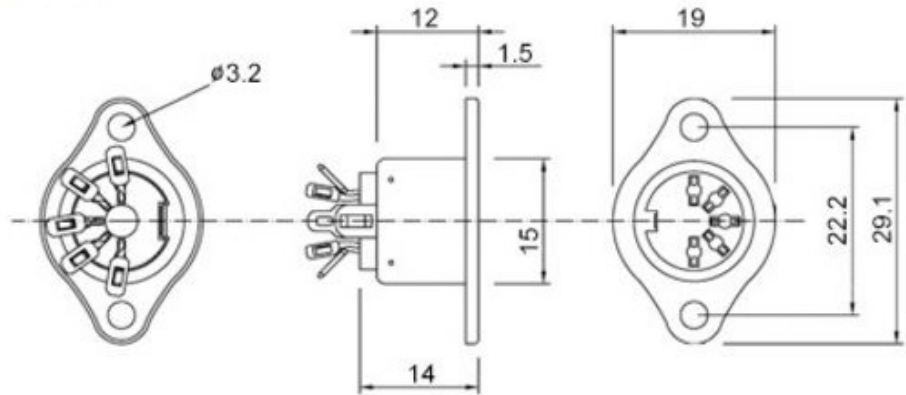


Item No. : K3710

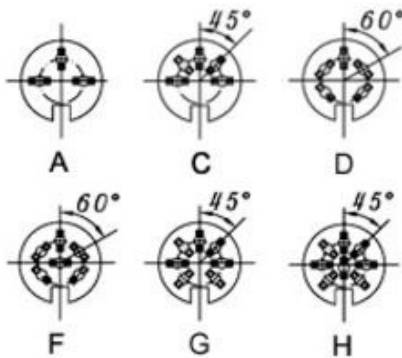
RoHS : RoHS

Description :

din socket (solder type)



K3710 x
└ Pole



Specifications

Rating: 1A 100VAC or 2A 12VDC Max.
 Insulation resistance: Over 100M Ω at 500VDC
 Withstanding voltage: 1000VAC for one minute
 Insertion force: 4KG Max.
 Extraction force: 3.5KG.

Materials

Socket case: SPCC-SD 0.4t, nickel plated
 Insulator: P.B.T.
 Earth terminal: PBSR-H 0.25t
 Contact pin: Brass 0.7t silver plated
 Rivet: All nickel plated